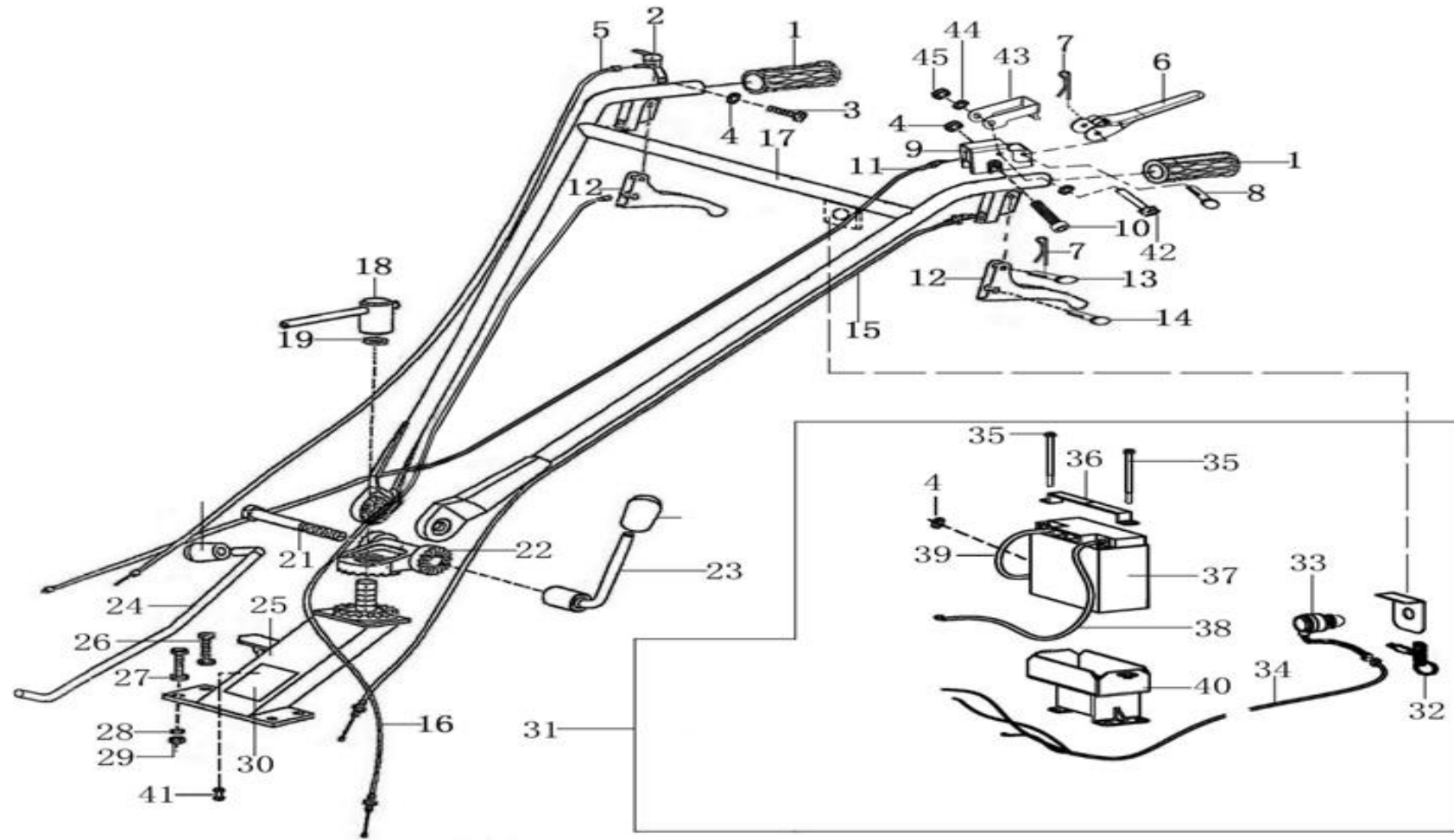


扶手操纵总成 HANDLE CONTROL PARTS



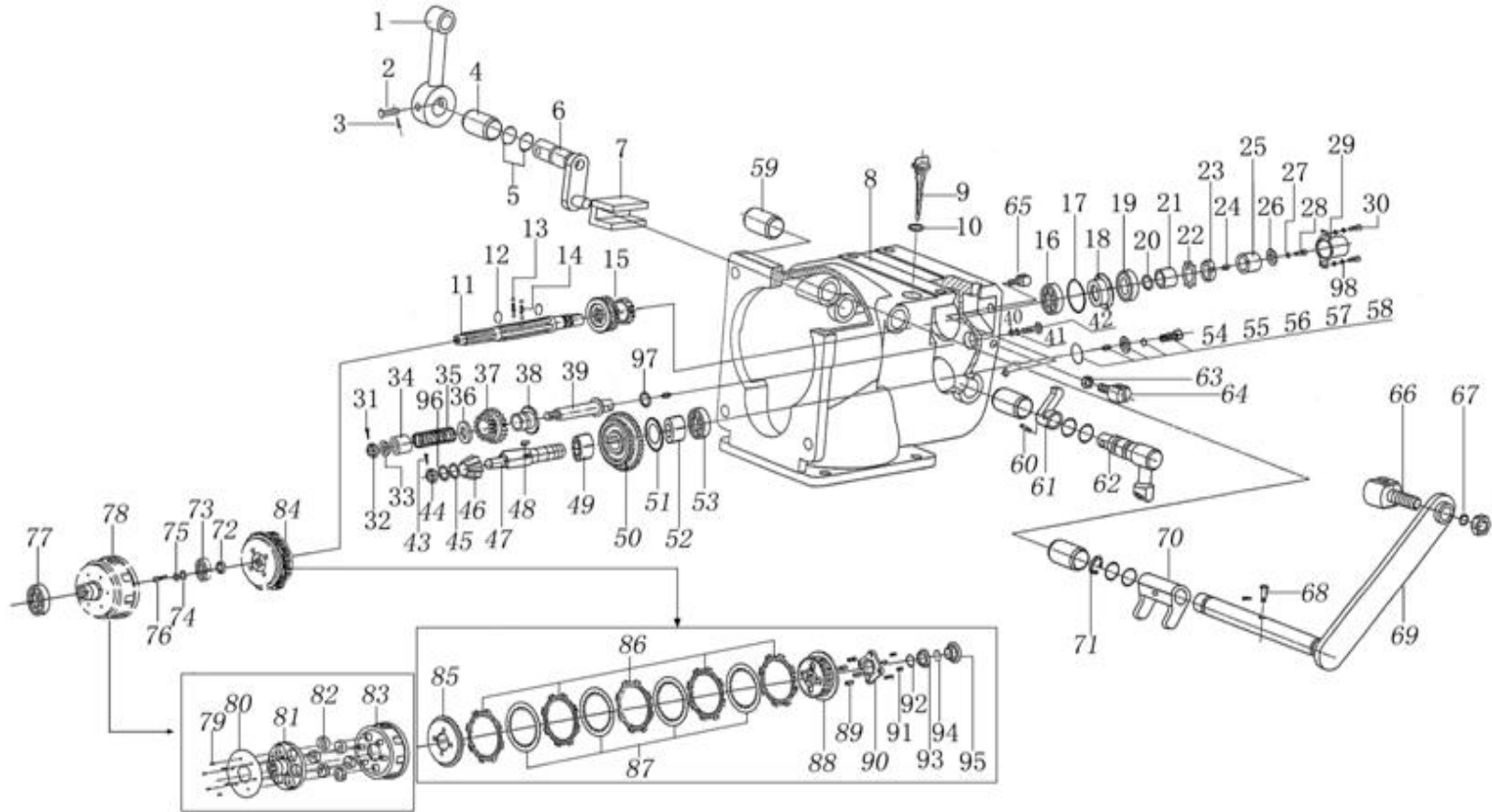
扶手操纵总成 Handle Control Parts

序号	零部件编号	零部件编码	中文名称	英文名称	数量 QTY.	
Ref No.	Part No.	Part No.	Chinese	English	1100A(E)	1100B(E)
1		11.101.001.0001	φ25减震手把胶套	Handle Grip	2	2

2		11.101.031.0002	φ25蜜蜂油门开关	Shut Down Switch Comp	1	1
3	GB/T 818 M6×20	12.003.008.0171	螺钉 M6×20	Bolt M6×20	1	1
4	GB/T 6170 M6	12.001.001.0010	螺母M6	Nut M6	3	3
5	T0901002	11.101.002.0001	油门拉索	Throttle Cable Comp	1	1
6	T0901003	11.101.005.0002	熄火手柄（借用1050离合把手） /1795C	Flameout switch	1	1
7	T0901004	11.114.003.0001	卡簧Φ2	Clip Φ2	5	5
8	GB/T 882 6×40	12.019.001.0080	销轴 6×40	Pin 6×40	1	1
9	T0901005	11.101.003.0001	熄火手柄座	Flameout switch Seat	1	1
10	GB/T 70.1 M6×40	12.003.004.0040	内六角螺钉 M6×40	Bolt M6×40	1	1
11	T0901006	11.101.004.0001	熄火拉索	Flameout switch Cable Con	1	1
12	T0901007	11.101.005.0001	倒档/离合把手	Reverse Gear Or Clutch G	2	2
13	T0901008	11.101.069.0001	销轴 7×24	Pin 7×24	2	2
14	T0901009	11.101.006.0001	拉索接头 10×24	Pin 10×24	2	2
15	T0901010	11.101.007.0001	离合拉索	Clutch Cable	1	1
16	T0901011	11.101.008.0001	倒档拉索	Reverse Gear Cable	1	1
17	T0901200	11.101.009.0002	扶手架/黑色	Handle bar assy	1	1
	T1001200	11.101.009.0102	扶手架(电启动)/黑色	Handle bar assy(Electric sta	- (1)	- (1)
18	T0901300	11.101.011.0001	锁紧转手	T Figure Lock Comp	1	1
19	GB/T 93 20	12.006.008.0070	弹垫 20	Spring Washer 20	1	1
21	GB/T 5783 M16×150	12.002.008.0211	螺栓 M16×150	Bolt M16×150	1	1
22	T0901013	11.101.012.0006	齿盘板/威马红	Tray, Gear	1	1

序号	零部件编号	零部件编码	中文名称	英文名称	数量 QTY.	
Ref No.	Part No.	Part No.	Chinese	English	1100A(E)	1100B(E)
23	T0901014	11.101.013.0001	锁紧手柄	High And Low Lock Comp	1	1
24	T0901015	11.101.017.0001	换挡杆	Shift Lever	1	1
25	T0901016	11.101.014.0002	扶手座/威马红	Handle Seat Comp	1	1
26	GB/T 5783 M10×40	12.002.009.0150	螺栓 M10×40	Bolt M10×40	4	4
27	GB/T 95 10	12.006.009.0060	平垫圈 10	Washer 10	8	8
28	GB/T 93 10	12.006.008.0040	弹垫 10	Spring Washer 10	4	4
29	GB/T 6170 M10	12.001.001.0090	螺母M10	Nut M10	4	4
34	T1101402	11.118.001.0001 (总成)	电启动控制线束	Startup Control Cord	- (1)	- (1)
35	GB/T5782/M6×175	12.002.008.0039	连接螺栓M6×175	Connecting Bolt M6×124	- (2)	- (2)
36	T1101403	11.118.002.0002	电瓶压块/18Ah/威马红	Accumulator Fixation Board	- (1)	- (1)
37	T1101600	11.118.003.0002	电瓶 (18Ah)	Accumulator Assy	- (1)	- (1)
38	T1101404	11.118.004.0001	电瓶连接线A 450mm	Accumulator Connecting C	- (1)	- (1)
39	T1101405	11.118.004.0002	电瓶连接线B 300mm	Accumulator Connecting C	- (1)	- (1)
40	T1101406	11.118.005.0002	电瓶托架/18Ah/威马红	Base, Accumulator Assy	- (1)	- (1)
41	GB/T 12618	12.017.001.0100	扁圆头抽芯铆钉	Screw	2	2
42	GB/T 818	12.003.008.0140	十字槽螺钉M4×40	Cruciform slot screw M4 ×40	1	1
43	T0901018	11.101.015.0001	启动锁扣	Clip	1	1
44	GB/T 95	12.006.014.0001	平垫4	Washer 4	2	2
45	GB/T 6172.4	12.001.003.0001	非金属嵌件六角锁紧螺母M4	Flange bolt M4	1	1

变速箱总成 SHIFT GEARS PARTS



变速箱总成 Shift Gears Parts

序号	零部件编号	零部件编码	中文名称	英文名称	数量 QTY.	
Ref No.	Part No.	Part No.	Chinese	English	1100A(E)	1100B(E)
1	T0902001	11.102.001.0001	换挡套	Sheath, Shift rod	1	1
2	GB/T 78 6×40	12.019.001.0080	换挡销 6×40	Pin 6×40, Shift rod	1	1
3		12.015.006.0001	卡簧A	Clip	1	1

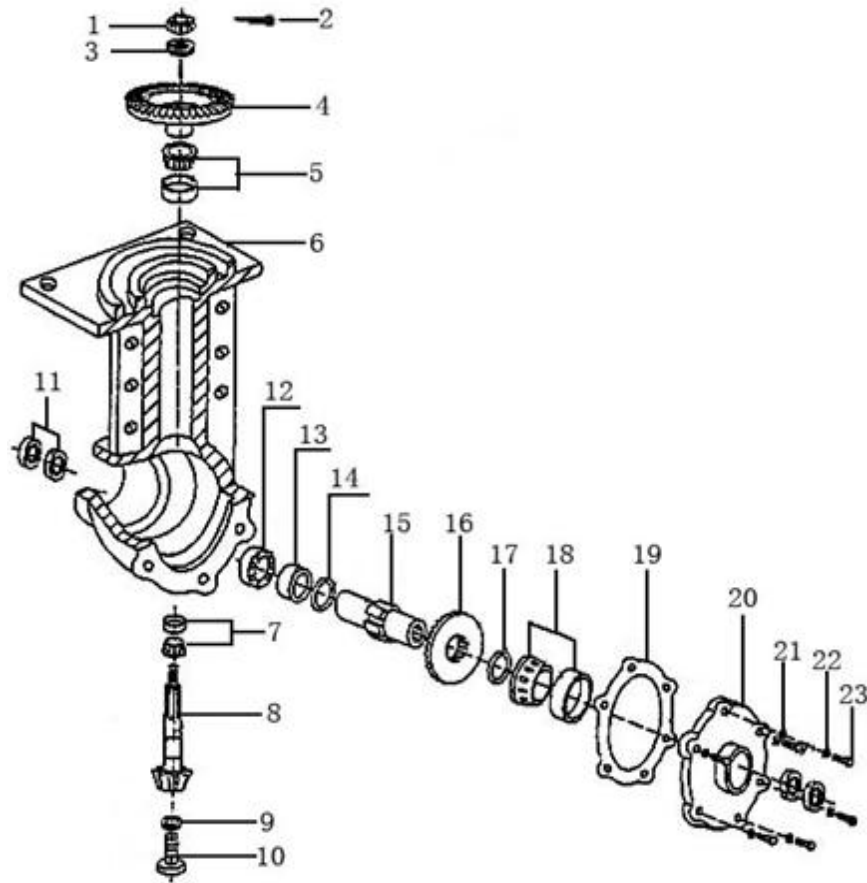
序号	零部件编号	零部件编码	中文名称	英文名称	数量 QTY.	
Ref No.	Part No.	Part No.	Chinese	English	1100A(E)	1100B(E)
4	T0902002	11.102.002.0001	换挡轴衬套 20×16×35.5	Bush Shift axes	1	1
5	GB/T 3452.1 11.2×2.6	12.008.001.0180	O形密封圈 11.2×2.65	O-ring 11.2×2.65	6	6
6	T0902003	11.102.003.0001	换挡轴/换挡拨叉轴	Shift axes	1	1
7	T0902004	11.102.004.0001	换挡拨块	Shift fork	1	1
8	T0902005	11.102.000.0004	变速箱体/银白色	Shift gear box	1	1
9、10	T0902006	11.102.006.0001	机油尺 (含O型圈)	Oil stick	1	1
11	T0902008	11.102.007.0001	主轴	Principal axes	1	1
12	GB/T 895.2 25×2	12.007.006.0200	轴用钢丝挡圈	Ring GB/T 895.2 25×2	2	2
13	GB/T 304 SΦ6	12.010.001.0010	钢球 SΦ6	Steel ball GB/T 304 SΦ6	4	4
14	T0902009	11.102.008.0001	主轴弹簧	Spring , Principal axes	2	2
15	T0902010	11.102.009.0001	主动齿轮	Iniative gear	1	1
16	GB/T 276 6204	12.009.001.0171	轴承 6204	Axletree 6204	1	1
17	GB/T 3452.1 45×1.8	12.008.001.0580	O形密封圈 45×1.8	O-ring 45×1.8	1	1
18	T0902011	11.102.010.0001	压盖	Pushing panel	1	1
19	T0902012	12.015.028.0014	唇形油封 B25×40×7 (丙烯)	Oil seal B25×40×7	1	1
20	GB/T 3452.1 17×1.8	12.008.001.0300	O形密封圈 17×1.8	O-ring 17×1.8	2	2
21	T0902013	11.102.011.0001	主轴轴套	Sheath, principal axes	1	1
22	GB/T 858 20	GB/T 858 20	止退垫圈 20	Gasket 20	1	1
23	GB/T 812 M20×1.5	12.001.011.0120	圆螺母 M20×1.5	Nut M20×1.5	1	1
24	GB/T 1096 A6×6×20	12.014.002.0290	平键 A6×6×20	Key A6×6×20	1	1
25	T0902014	11.102.012.0001	键套	Sheath, Key	1	1
26	T0902015	11.102.012.0001	键套垫圈 30×6.5×3	Gasket 30×6.5×3	1	1
27	GB/T 859 6	GB/T 859 6	轻型弹垫 6	Spring washer 6	5	5
28	GB/T 5783 M6×20	12.006.008.0021	六角螺栓 M6×20	Hex bolts M6×20	1	1

序号	零部件编号	零部件编码	中文名称	英文名称	数量 QTY.	
Ref No.	Part No.	Part No.	Chinese	English	1100A(E)	1100B(E)
29	T0902016	11.102.013.0001	主轴保护罩	Protec cover, principal ax	1	1
30	GB/T 70 M6×20	12.003.008.0171	内六角螺钉 M6×20	Screw M6×20	4	4
31	GB/T 91 2.5×30	12.005.006.0045	开口销 2.5×30	Splitpin 2.5×30	1	1
32	GB/T 6178 M12	11.123.011.0001	六角开槽螺母 M12	Nut M12	1	1
33	GB/T 95 12	GB/T 95 12	平垫 12	Washer 12	1	1
34	T0902017	11.102.014.0001	倒档限位套	Restrict cover, reverse gea	1	1
35	T0902018	11.102.015.0001	倒档弹簧	Spring	1	1
36	T0902019	11.102.016.0001	倒档弹簧座	Spring seat, reverse gear	1	1
37	T0902020	11.102.017.0001	倒档双联齿	Double gear, reverse gear	1	1
38	T0902021	11.102.018.0001	倒档推盘	Pushing plate, reverse gea	1	1
39	T0902022	11.102.019.0001	倒档轴	Axes, reverse gear	1	1
40	T0902023	11.102.025.0001	副轴调整垫/副轴垫片	Washer 40*12.5*4	1	1
41	GB/T 93 10	12.006.008.0040	弹垫 10	Spring washer 10	1	1
42	GB/T 5783 M10×25	12.002.009.0420	螺栓 M10×25	Bolt M10×25	1	1
43	GB/T 91 2.5×20	12.005.006.0045	开口销 2.5×30	Splitpin GB/T 91 2.5×20	2	2
44	GB/T 6178 M10	12.001.001.0090	六角开槽螺母 M10	Nut GB/T 6178 M10	1	1
45	T0902024	11.102.021.0001	调整垫圈	Gasket	按需	按需
46	T0902025	11.102.022.0001	主动伞齿轮	Iniative umbrella gear	1	1
47	T0902026	11.102.023.0001	副轴	Countershaft	1	1
48	GB/T 1096 A6×6×20	12.014.002.0290	平键 A6×6×20	Key A6×6×20	1	1
49	GB/T 5846 K182420	12.009.007.0001	滚针轴承 K182420	Ball bearing K182420	1	1
50	T0902027	11.102.024.0001	副轴双联齿轮	Double gear, countershaf	1	1
51	T0902028	11.102.025.0001	副轴调整垫	Gasket, countershaft	1	1
52	T0902029	11.102.026.0001	副轴隔套	Sheath, countershaft	1	1

序号	零部件编号	零部件编码	中文名称	英文名称	数量 QTY.	
Ref No.	Part No.	Part No.	Chinese	English	1100A(E)	1100B(E)
53	GB/T 301 51104	12.009.005.0100	推力球轴承 51104	Thrust ball bearing 51104	1	1
54	GB/T 3452.1 25×1.8	12.008.001.0410	O形密封圈 25×1.8	O-ring 25×1.8	1	1
56	T0902030	11.102.027.0001	大垫圈 41×12.5×4	Gasket 41×12.5×4	1	1
57	GB/T 93 12	GB/T 93 12	弹垫 12	Spring washer 12	1	1
58	GB/T 5786 M12×1.25	12.002.011.0101	六角螺栓 M12×1.25×25	Bolt M12×1.25×25	1	1
59	T0902031	11.102.028.0001	倒档、离合拨叉轴衬套20×16×31.5	Sheath 20×16×31.5	3	3
60	T0902032	12.005.004.0001	螺纹圆柱销 5×30	Worm column pin 5×30	1	1
61	T0902033	11.102.029.0001	倒档拨叉	Reverse gear fork	1	1
62	T0902034	11.102.030.0001	倒档拨叉轴	Axes, reverse gear fork	1	1
63	GB/T 6170 M8	GB/T 6170 M8	螺母 M8	Nut M8	2	2
64	T0902035	11.102.032.0001	倒档线座	Seat, reverse gear cable	1	1
65	T0902036	11.102.033.0001	离合线座	Seat, clutch cable	1	1
66	T0902037	11.102.034.0001	离合拉索活动座	Seat, clutch cable	1	1
67	GB/T 93 8	12.006.008.0030	弹垫 8	Spring washer 8	1	1
68	GB/T 78 6×29	GB/T 78 6×29	离合拨叉销 6×20	Pin 6×20, clutch fork	1	1
69	T0902038	11.102.035.0007	离合拨叉轴/威马红	Axes, clutch fork	1	1
70	T0902039	11.102.036.0001	离合拨叉	Clutch fork	1	1
71	GB/T 894 16	12.007.005.0120	挡圈 16	Ring 16	1	1
72	T0902040		离合器垫片 26×15.3×2.7	Clutch washer	1	1
73	GB/T 276 6202	12.009.001.0132	深沟球轴承6202 (自带、离合器)	Axletree 6202	1	1
74	GB/T 96 8	12.006.009.0050	垫圈8	Gasket 8	1	1
75	GB/T 86.2 8	GB/T 86.2 8	外锯齿锁紧垫圈	Sawtooth locked gasket	1	1
76	GB/T 5783 M8×20	GB/T 5783 M8×20	六角螺栓M8×20	Flange bolt M8×20	1	1
77	GB/T 276 6007	12.009.001.0070	深沟球轴承 6007	Axletree 6207	1	1

序号	零部件编号	零部件编码	中文名称	英文名称	数量 QTY.	
Ref No.	Part No.	Part No.	Chinese	English	1100A(E)	1100B(E)
78	T0902100	11.108.001.0001	离合器外罩总成	Core comp, clutch	1	1
79	GB/T 109 6	GB/T 109 6	沉头铆钉 6	Screw 6	6	6
80	T0902101	11.108.999.0008	缓冲垫盖板	Cover, cushion	1	1
81	T0902102	11.108.999.0004	离合器花键盘	Spline plate, clutch	1	1
82	T0902103	11.108.999.0009	缓冲垫	Cushion	6	6
83	T0902104	11.108.999.0003	离合器外罩	Cover, clutch	1	1
84	T0902200	11.108.002.0001	离合器芯总成	Core comp, clutch	1	1
85	T0902201	11.108.999.0010	压盘	Platen	1	1
86	T0902202	11.108.999.0001	摩擦片	Friction piece	5	5
87	T0902203	11.108.999.0002	从动片	Driven piece	4	4
88	T0902300	11.108.999.0011	从动盘组件	Driven plate assy	1	1
89	T0902204	11.108.999.0005	弹簧	Spring	4	4
90	T0902400	11.108.999.0006	升板组件	Lift slab assy	1	1
91	GB/T 70 M5×20	GB/T 70 M5×20	内六角螺钉 M5×20	Scre M5×20	4	4
92	GB/T 895.2	12.007.006.0200	轴用钢丝挡圈	Steel ring GB/T 895.2	1	1
93	T0902205	11.120.007.0001	六方固定套	Fixed sheath	1	1
94	GB/T 304 SΦ3.5	GB/T 304 SΦ3.5	钢球 S3.5 (自带、离合器)	Ball bearing SΦ3.5	29	29
95	T0902206	11.102.034.0001	推盘活动套 (自带、离合器)	Active Pushing cover	1	1
96	T0902041	11.102.037.0001	主动伞齿轮垫圈 16.5×10.6×2	Gasket 16.5×10.5×2	1	1
97	GB/T 3452.1 18×1.8	GB/T 3452.1 18×1.8	O形密封圈 18×1.8	O-ring 18×1.8	1	1
98	GB/T 95 6	GB/T 95 6	平垫 6	Washer	4	4
		注：85-98均为离合器自带				

行走箱总成 TRANSMISSION CASE PARTS

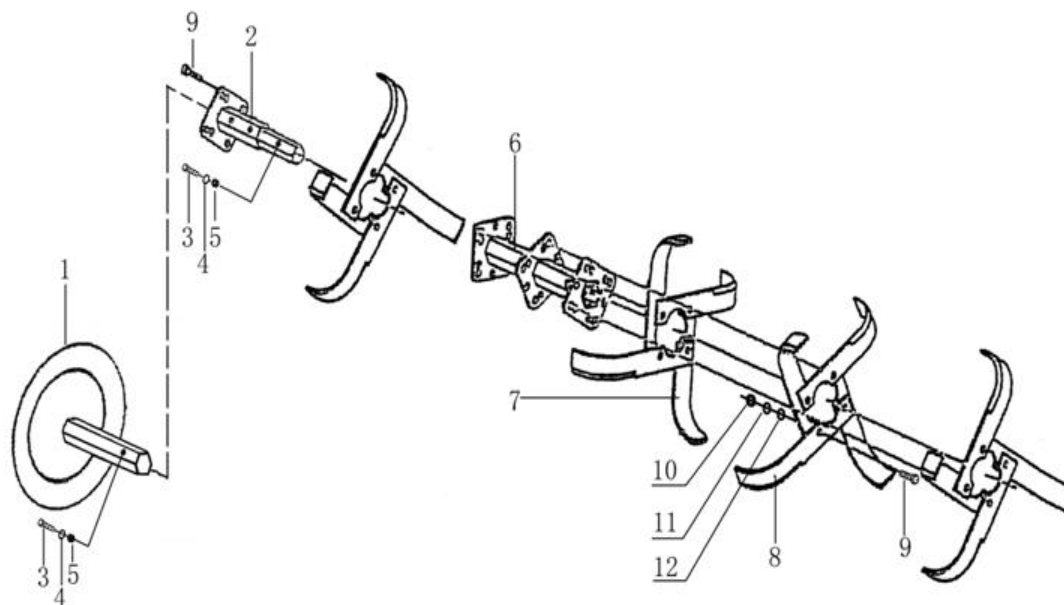


行走箱总成 Transmission Case Parts

序号	零部件编号	零部件编码	中文名称	英文名称	数量 QTY.	
Ref No.	Part No.	Part No.	Chinese	English	1100A(E)	1100B(E)
1	GB/T 6178 M12	GB/T 6178 M12	六角开槽螺母M12	Nut M12	1	1
2	GB/T 91 2.5×22	GB/T 91 2.5×22	开口销 2.5×22	Splitpin 2.5×22	1	1
3	GB/T 93 12	GB/T 93 12	弹垫 12	Spring washer 12	1	1

序号	零部件编号	零部件编码	中文名称	英文名称	数量 QTY.	
Ref No.	Part No.	Part No.	Chinese	English	1100A(E)	1100B(E)
4	T0903001	11.103.001.0001	从动伞齿轮	Driven umbrella gear	1	1
5	GB/T 297 30206	12.009.004.0200	圆锥滚子轴承 30206	Taper ball bearing 30206	1	1
6	T0903002	11.103.006.0002	行走箱 / 银白色	Walking case	1	1
7	GB/T 297 30204	12.009.004.0100	圆锥滚子轴承 30204	Taper ball bearing 30204	1	1
8	T0903003	11.103.007.0001	伞齿轮轴	Umbrella gear axes	1	1
9	GB/T 3452.1 10×2.65	GB/T 3452.1 10×2.65	O形密封圈 10×2.65	O-ring 10×2.65	1	1
10	T0903004	11.120.102.0006	放油螺栓 M12×1.25×10	Drain bolt M12×1.25×10	1	1
11	T0903005	12.015.028.0013	唇形油封 B45×62×8	Oil seal B45×62×8	4	4
12	GB/T 276 6009	12.009.001.0080	深沟球轴承 6009	Ball bearing 6009	1	1
13	T0903006	11.106.026.0003	输出轴隔套	Cover, output axes	1	1
14	T0903007	11.103.008.0001	伞齿调整垫片 60×45.5×0.1	Gasket 60×45.5×0.1	按需	按需
15	T0903008	11.103.009.0001	内六方输出轴套	Cover, flange axes	1	1
16	T0903009	11.103.003.0001	行走伞齿轮	Walking umbrella gear	1	1
17	T0903010	11.103.008.0002	伞齿调整垫片 60×45.5×0.5	Gasket 60×45.5×0.5	按需	按需
18	GB/T 297 32009	12.009.004.0300	圆锥滚子轴承 32009	Taper ball bearing 32009	1	1
19	T0903011	11.103.010.0002	行走箱钢纸垫 80.5	Gasket 80.5, 80.2	按需	按需
20	T0903012	11.103.011.0002	行走箱端盖/银白色	Side cover, walking case	1	1
21	GB/T 95 8	GB/T 95 8	平垫 8	Washer 8	6	6
22	GB/T 93 8	GB/T 93 8	弹垫 8	Spring washer 8	6	6
23	GB/T 5783 M8×30	GB/T 5783 M8×30	六角头螺栓 M8×30	Hex bolt M8×30	6	6

旋耕部件 ROTARY TILLER PARTS

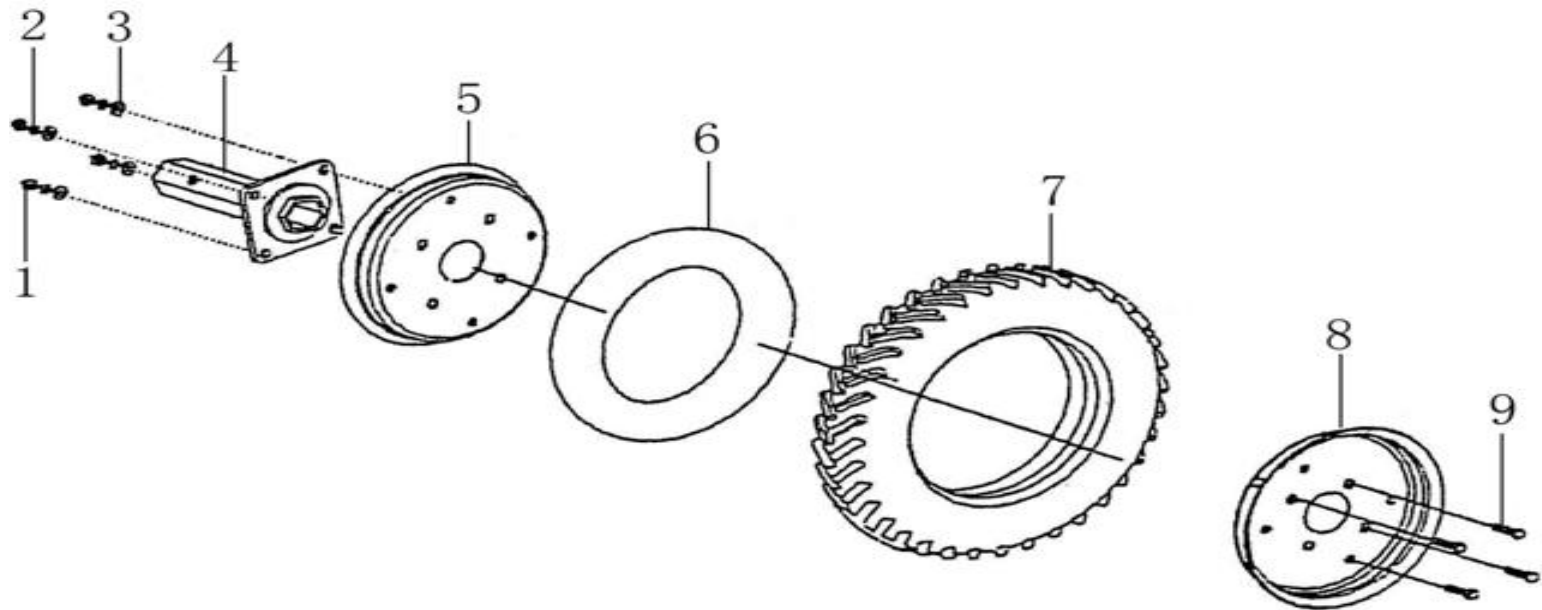


旋耕部件 Rotary Tiller Parts

序号	零部件编号	零部件编码	中文名称	英文名称	数量 QTY.	
Ref No.	Part No.	Part No.	Chinese	English	1100A(E)	1100B(E)
1	T0904001	11.110.001.0005	圆刀盘 (选配) / 黑色	Round plate(Optional)	2	2
2	T0904002	11.110.012.0003	副刀筒/亚光黑	Counter tube	2	2
3	GB/T 5783 M8×55	GB/T 5783 M8×55	螺栓 M8×55	Bolt M8×55	4	4
4	GB/T 93 8	12.006.008.0030	弹垫 8	Spring washer 8	4	4
5	GB/T 6170 M8	12.001.001.0080	螺母 M8	Nut M8	4	4
6	T0904003	11.110.014.0001	主刀筒/亚光黑	Main tube	2	2
7	T0904004	11.110.007.0028	旱地弯刀片(左)/亚光黑	Blade(L)	16	16
8	T0904005	11.110.007.0029	旱地弯刀片(右)/亚光黑	Blade(R)	16	16

序号	零部件编号	零部件编码	中文名称	英文名称	数量 QTY.	
Ref No.	Part No.	Part No.	Chinese	English	1100A(E)	1100B(E)
9	GB/T 5782 M10×35	12.002.008.0050	六角头螺栓 M10×35	Hex bolt M10×35	32	32
10	GB/T 6170 M10	12.001.001.0090	螺母 M10	Nut M10	32	32
11	GB/T 95 10	12.006.009.0060	平垫 10	Washer 10	32	32
12	GB/T 93 10	12.006.008.0040	弹垫 10	Spring washer 10	32	32

人字车轮总成 LAMBDODIAL WHEEL PARTS

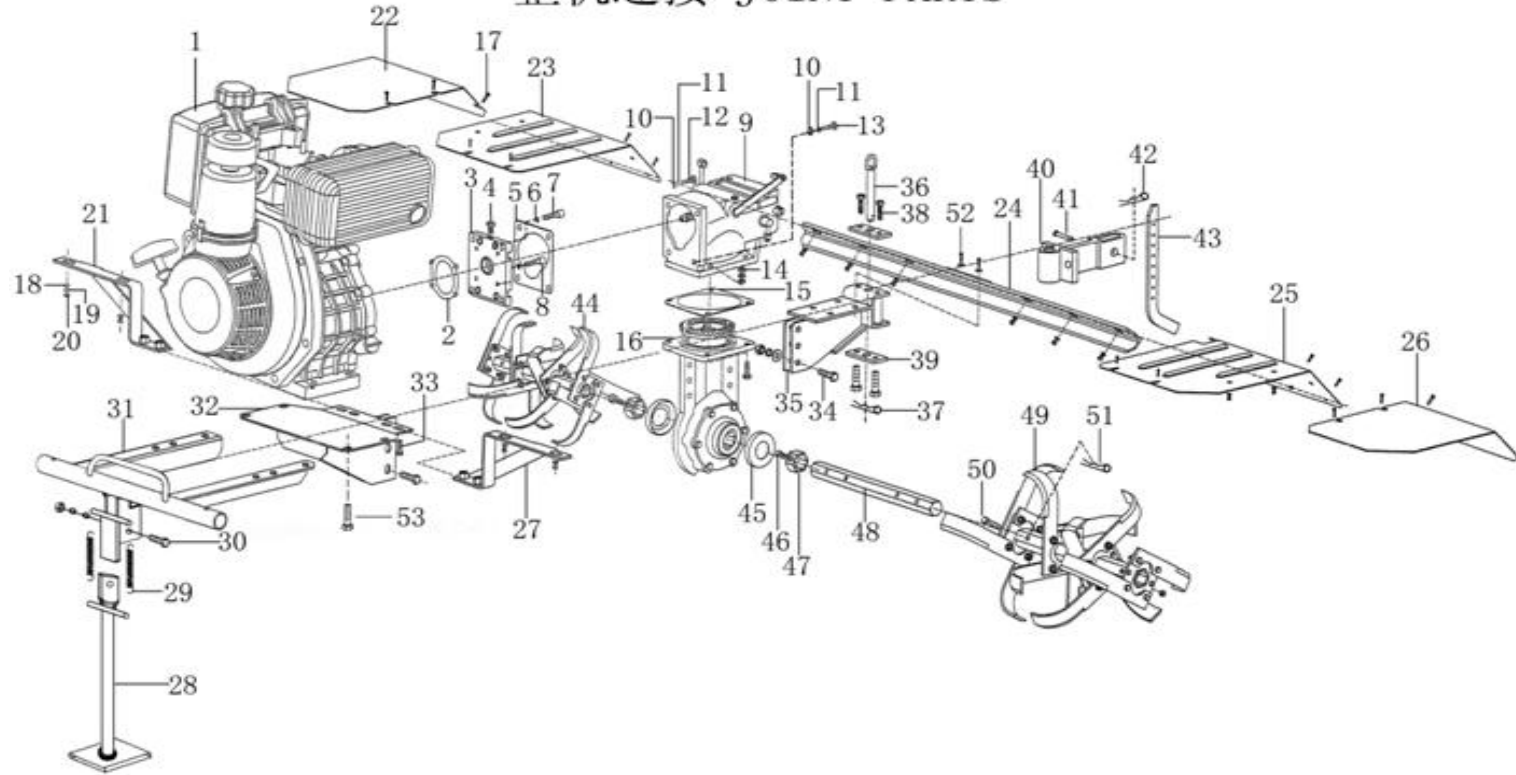


行走轮总成 Lambdoidal Wheel Parts

序号	零部件编号	零部件编码	中文名称	英文名称	数量 QTY.	
Ref No.	Part No.	Part No.	Chinese	English	1100A(E)	1100B(E)
1	GB/T 6170 M10	12.001.001.0090	六角螺母 M10	Nut M10	8	8
2	GB/T 93 10	12.006.008.0040	弹簧垫圈 10	Spring washer 10	8	8

序号	零部件编号	零部件编码	中文名称	英文名称	数量 QTY.	
Ref No.	Part No.	Part No.	Chinese	English	1100A(E)	1100B(E)
3	GB/T 95 10	12.006.009.0060	平垫 10	Washer 10	8	8
4	T0905001	11.111.001.0001	车轮轴/黑色	Wheel axle	2	2
5	T0905002	11.111.004.0005	外轮辐(有孔)/威马红	Spoke (R)	2	2
6	T0905003	11.111.007.0001	内胎	Inner tube	2	2
7	T0905004	11.111.003.0001	人字形橡胶外胎 4.00—8	Outer rubber tyre 4.00-8	2	2
8	T0905005	11.111.002.0004	内轮辐/威马红	Spoke (L)	2	2
9	GB/T 5783 M10×30	12.002.009.0130	六角头螺栓 M10×30	Hex bolt M10×30	8	8

整机连接 JOINT PARTS



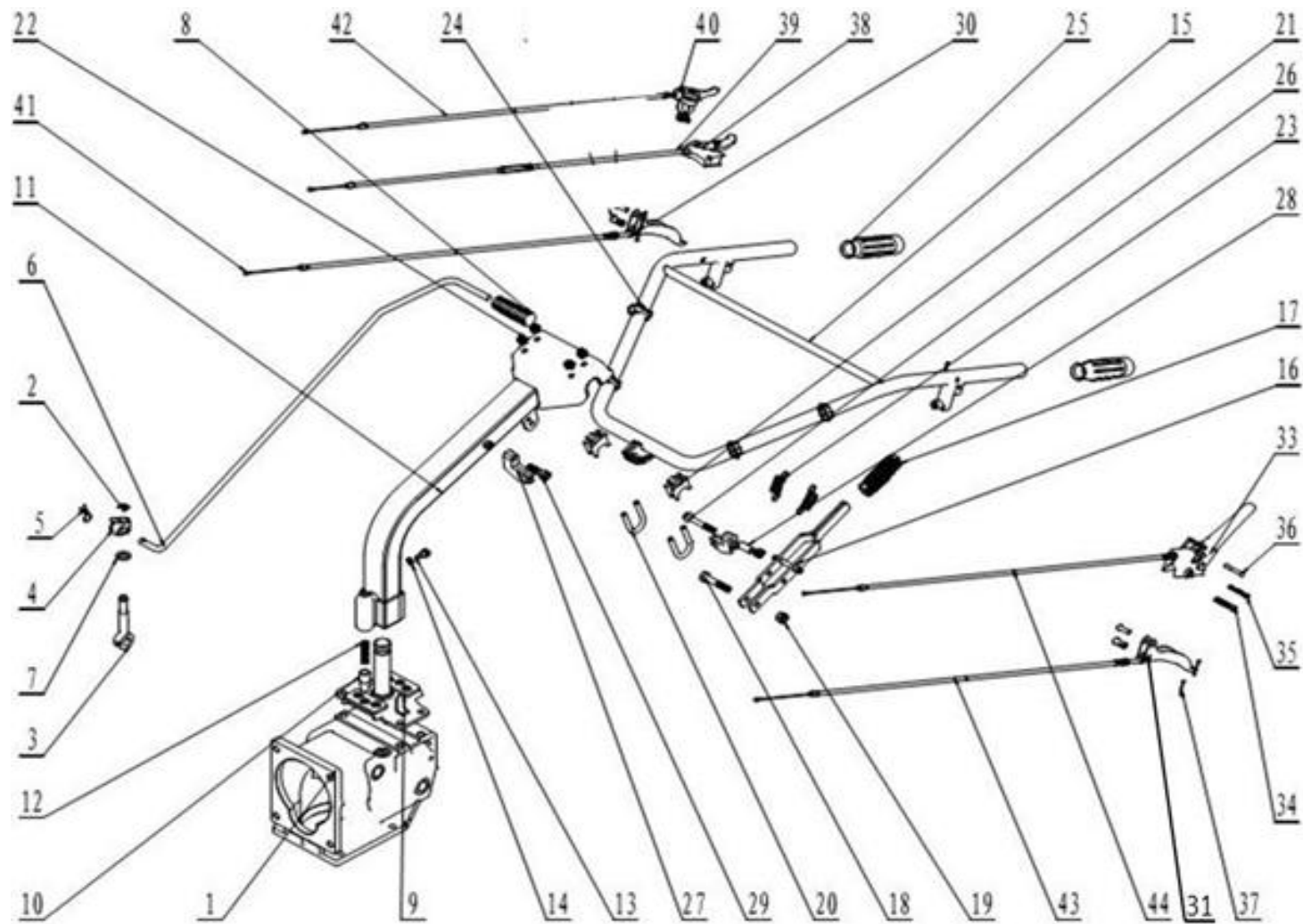
整机连接 Joint Part

序号	零部件编号	零部件编码	中文名称	英文名称	数量 QTY.	
Ref No.	Part No.	Part No.	Chinese	English	1100A(E)	1100B(E)
1	T0906100	10.006.003.1502	柴油机总成(178F)	Diesel engine comp	1 (-)	—
	T1106100	10.006.004.1501	柴油机总成(178FE)	Diesel engine comp(Elect	- (1)	—
2	T0906001	11.120.001.0001	发兰纸垫/法兰盘垫	Flange gasket	1	1
3	T0906002	11.120.002.0002	柴油机发兰/银白色	Flange	1	—
4	T0906003	12.002.009.0510	泄压螺栓 M12×1.25×25(含开口销)	Bolt M12×1.25×25	1	1
5	T0906004	11.120.004.0001	箱体密封垫	Airproof gasket, gear box	1	1
6	GB/T 93 8	12.006.008.0030	弹簧垫圈 8	Spring washer 8	8	8
7	GB/T 70 M8×30	12.003.005.0160	内六角螺钉 M8×30	Screw M8×30	4	4
8	GB/T 70 M8×25	12.003.005.0150	内六角螺钉 M8×25	Screw M8×25	4	4
9	T0902000	11.102.000.0001	变速箱总成	Gear box comp	1	1
10	GB/T 95 10	12.006.009.0060	平垫 10	Washer 10	26	26
11	GB/T 93 10	12.006.008.0040	弹垫 10	Spring washer 10	23	23
12	GB/T 5783 M10×40	12.002.009.0150	六角螺栓 M10×40	Bolts M10×40	9	9
13	GB/T 5783 M10×35	12.002.008.0050	六角螺栓 M10×35	Bolts M10×35	2	2
14	GB/T 6170 M10	12.001.001.0090	螺母 M10	Nut M10	17	17
15	T0906005	11.120.004.0001	箱体密封垫	Core comp, clutch	按需	按需

序号	零部件编号	零部件编码	中文名称	英文名称	数量 QTY.	
Ref No.	Part No.	Part No.	Chinese	English	1100A(E)	1100B(E)
16	T0903000	11.102.000.0001	变速箱总成/威马橙	Gear box comp	1	1
17	GB/T 16674.1 M6×16	12.002.013.0033	螺栓 M6×16	Bolts M6×16	16	16
18	GB/T 95 6	12.006.009.0001	平垫 6	Washer 6	32	32
19	GB/T 93 6	12.006.008.0021	弹垫 6	Spring washer	16	16
20	GB/T 6170 M6	12.001.001.0010	螺母 M6	Nut M6	16	16
21	T0906006	11.115.001.0004	挡泥板右支架/威马红	Frame(R)	1	1
23	T0906008	11.115.002.0003	右挡泥板威马红	Bust cover (R)	1	1
24	T0906009	11.115.001.0202	挡泥板后支架/威马红	Frame, Dust cover (Back)	1	1
25	T0906010	11.115.002.0004	左挡泥板/威马红	Dust cover(L)	1	1
27	T0906012	11.115.001.0003	挡泥板左支架/威马红	Frame(L)	1	1
28	T0906013	11.109.001.0001	保险杠支撑杆/黑色	Bumper support	1	—
29	T0906014	11.109.002.0001	保险杠支撑杆拉簧	Spring	2	2
30	GB/T 5783 M10×30	GB/T 5783 M10×30	六角螺栓 M10×30	Falnge bolt M10×30	1	1
31	T0906200	11.109.004.0001	保险杠总成/黑色	Bumper comp	1	—
32	T0906015	11.120.005.0001	发动机支撑架/黑色	Support frame, engine	1	—
33	GB/T 5783 M8×12	GB/T 5783 M8×12	六角螺栓 M8×12	Bolts, M8×12	2	2
34	GB/T 5783 M10×55	GB/T 5783 M10×55	六角螺栓 M10×55	Bolts, M10×55	3	3
35	T0906016	11.114.001.0001	拖挂体/黑色	Dragging assy	1	1

序号	零部件编号	零部件编码	中文名称	英文名称	数量 QTY.	
Ref No.	Part No.	Part No.	Chinese	English	1100A(E)	1100B(E)
36	T0906017	11.114.002.0001	带环销轴	Pin with ring	1	1
37	T0906018	12.015.006.0005	卡簧F Φ3.5	Clip Φ3.5	1	1
38	GB/T 5783 M10×30	GB/T 5783 M10×30	六角螺栓 M10×30	Bolts M10×30	6	6
40	T0906020	11.114.004.0001	连接架/黑色	Connection frame	1	1
41	GB/T 882 8×42	GB/T 882 8×42	销轴 8×42	Pin 8×42	1	1
42	T0906021	12.015.006.0002	卡簧B Φ2	Clip Φ2	1	1
43	T0906022	11.114.005.0001	阻力杆/黑色	Resistance rod	1	1
44	T0906300	11.110.000.0004	旱地弯刀总成 (右) / (出口、亚光	Dry land blade comp(R)	1	1
45	T0906023	11.120.006.0001	防尘盖	Dust protect cover	2	2
46	GB/T 16674.1 M8×25	12.003.005.0150	六角头螺栓 M8×25	Bolts M8×25	2	2
47	T0906024	11.120.007.0001	六方固定套(六方衬套)	Flange fix sheath	2	2
48	T0906025	11.120.008.0001	六方输出轴	Flange output axes	1	1
49	T0906400	11.110.000.0003	旱地弯刀总成 (左) / (出口、亚光	Dry land blade comp(L)	1	1
50	GB/T 882 8×50	12.019.001.0140	销轴 8×50	Pin 8×50	2	2
51	T0906026	12.015.006.0002	卡簧 BΦ2	Clip Φ2	2	2
52	GB/T 5783 M10×25	12.002.009.0420	六角法兰面螺栓 M10×25	Flange bolt M10×25	2	2
53	GB/T 5783 M10×45	12.002.012.0161	六角法兰面螺栓 M10×45	Flange bolt M10×45	4	4

WM1100A MF扶手操纵总成



WM1100A MF扶手操纵总成

序号	零部件编号	零部件编码	中文名称	英文名称	单台用量	备注
1	T0902000	11.102.000.0026	变速箱总成/银白色	Shift Gears	1	
2	GB/T 896-86	GB/T 896-86	开口挡圈9	Split ring 9	1	
3	T0911012	11.102.001.0003	换挡套	Sheath, Shift rod	1	
序号	零部件编号	零部件编码	中文名称	英文名称	单台用量	备注

4		11.102.038.0001	PTO铰链B	PTO Higer B	1	借用T21
5	T0911023	12.015.006.0005	卡簧F	Clip F	1	
6	T0911011	11.101.017.0183	换挡杆/蓝白锌	Shift lever	1	
7	GB/T 95-2002	GB/T 95-2002	平垫圈 C级12×2. 5	Washer C Class 12x2.5	1	
8		11.101.001.0011	握把	Handle bar	1	借用T21
9	T0911001	11.101.026.0010	扶手架底板组合/本田红	Handle bar seat assy	1	
10	T0911015	12.015.002.0115	定位销	Pin	1	
11	T0911002	11.101.029.0061	扶手架立管组合/本田红	Handle bar pipe assy	1	
12	T0911009	11.120.104.0003	压簧	spring	1	
13	T0911018	11.101.020.0003	锁紧螺栓M8X18.5	Lock Comp Bolt	1	
14	GB/T 93-1987	GB/T 93-1987	标准型弹性垫圈(装配)8×2.1	Washer 8x2.1	1	
15	T0911003	11.101.009.0315	扶手架/黑色	Handle bar assy	1	
16	T0911006	11.101.061.0002	高度调节手把/黑色	Height Setting	1	
17		11.101.061.0004	高度调节手把胶/黑色	Grips,Height setting	1	借用T21
18	GB/T 5780-2000	GB/T 5780-2000	六角头螺栓 C级M10×55	Bolt M10x55	1	
19	GB/T 889.1-2000	GB/T 889.1-2000	1型非金属嵌件六角锁紧螺母M10	Nut M10	1	
20	T0911005	12.015.029.0003	U型螺栓	"U" Bolt	2	
21	T0911014	11.101.062.0002	扶手支撑块	Handle Seat Comp	2	
22	GB/T 889.1-2000	GB/T 889.1-2000	1型非金属嵌件六角锁紧螺母M8	Nut M8	5	
23	T0911010	11.120.103.0002	拉簧	spring	2	
24		11.101.068.0001	Φ25线卡	Clip Φ25	4	借用T21
25		11.101.001.0001	Φ25减震手把胶套	Grip Φ25	2	
26	GB/T 5789-1986	GB/T 5789-1986	六角头法兰面螺栓(加大系列)B级M8	Bolt M8x60	1	
序号	零部件编号	零部件编码	中文名称	英文名称	单台用量	备注

27		11.101.066.0001	定位块	locating piece	2	
28	T0911016	11.101.066.0002	定位块衬套	washer,locating piece	1	
29	GB/T 5789-1986	GB/T 5789-1986	六角头法兰面螺栓(加大系列)B级M8	Bolt M8X35	1	
30	T0909152	11.101.005.0016	2代离合把手	Clutch Handle	2	
31	T0909153	11.101.021.0003	2代带锁把手			
33		11.101.005.0033	WM1050离合把手开关组合	WM1050 Switch assy	1	
34	GB/T 70.1-2000	GB/T 70.1-2000	内六角圆柱头螺钉M6×40	Bolt M6x40	1	
35	GB/T 818-2000	GB/T 818-2000	十字槽盘头螺钉M4×40	Bolt M4x40	1	
36	GB 882-88	GB 882-88	销轴 B型6×40	Pin 6×40	1	
38	T0911008	11.101.005.0013	转向手把	Turning Handle	1	
39	T0911007	11.101.007.0032	转向拉索	Turning Cable	1	
40	T0901100	11.101.031.0002	WM1100油门开关组合（蜜蜂油门开	Shut Down Switch Comp	1	
41	T0909151	11.101.008.0009	Ⅱ代倒档拉索	Reverse Gear Cable	1	
42	T0909012	11.101.002.0001	油门拉索	Throttle Cable Comp	1	
43	T0909150	11.101.007.0033	Ⅱ代离合拉索	Clutch Cable	1	
44	T0909006	11.101.004.0002	熄火拉索	Flameout switch Cable C	1	

注：威马红即本田红

产品状态持续更改中，如有更改，恕不通知。