

# **FMH Series 3-point Forklift Instruction**

## **1. Safety Introduction**

- 1.1 Read and understand both the tractor and the forklift operator's manuals before using the forklift.
- 1.2 For your safety, a ROPS with a seat belt is strongly recommended in all applications. If your tractor has a folded ROPS, fold it down only when absolutely necessary and raise it up and lock it again as soon as possible. Always use the seat belt when the tractor is equipped with a ROPS. Never use the seat belt when the tractor is not equipped with a ROPS.
- 1.3 Do not lift or carry anyone on the forklift.
- 1.4 Never allow anyone to get under the forklift when the forklift is raised.
- 1.5 Do not walk or work under a raised forklift unless it is securely blocked and held in position.
- 1.6 Do not use the forklift as a jack to support the tractor for servicing or maintenance. Securely support the tractor or any machine elements with stands or suitable blocking before working underneath. For your safety, do not work under any hydraulically supported devices. They can settle or suddenly leak down or be accidentally lowered.
- 1.7 When operating the tractor on a slope, always operate up and down,

never across the slope.

1.8 For tractor stability and the operator safety, front ballast must be added.

1.9 Move and turn the tractor at low speeds.

1.10 Avoid loose fill, ditch, rocks and holes. They can be dangerous for forklift operation or movement.

1.11 Be extra careful when working on inclines.

1.12 Avoid overhead wires and obstacles when the forklift is raised.

Contacting electric lines can cause electrocution.

1.13 Gradually stop the forklift when lowering or lifting.

1.14 Use caution when handling loose or round loads.

1.15 When forklift work is complete, lower the forklift to the ground, stop the engine, remove the key and lock the brakes before leaving the tractor.

1.16 Make sure the detached forklift is on stands and on a hard, level surface.

1.17 Operate the forklift only when properly seated at the controls. Do not operate from the ground.

1.18 Visually check for hydraulic leaks and broken, missing, or malfunctioning parts.

1.19 Escaping hydraulic oil under pressure can have sufficient force to penetrate the skin, causing serious personal injury. Do not use hands

to search for suspected leaks. If injured by escaping fluid, obtain medical treatment immediately.

1.20 Before disconnecting hydraulic lines, relieve all hydraulic pressure.

1.21 Using forklift for handling large heavy objects, such as large round or rectangular bales, logs and oil drums is not recommended without proper handling attachments.

1.22 It is the owner's responsibility to ensure that anyone who will operate the forklift read this safety introductions first and become familiar with the safe operation of the forklift.

1.23 When servicing or replacing pins of the forklift, always use a brass drift and hammer. Failure to do so could result in injury from flying metal fragments.

1.24 Never exceed the capability of the forklift.

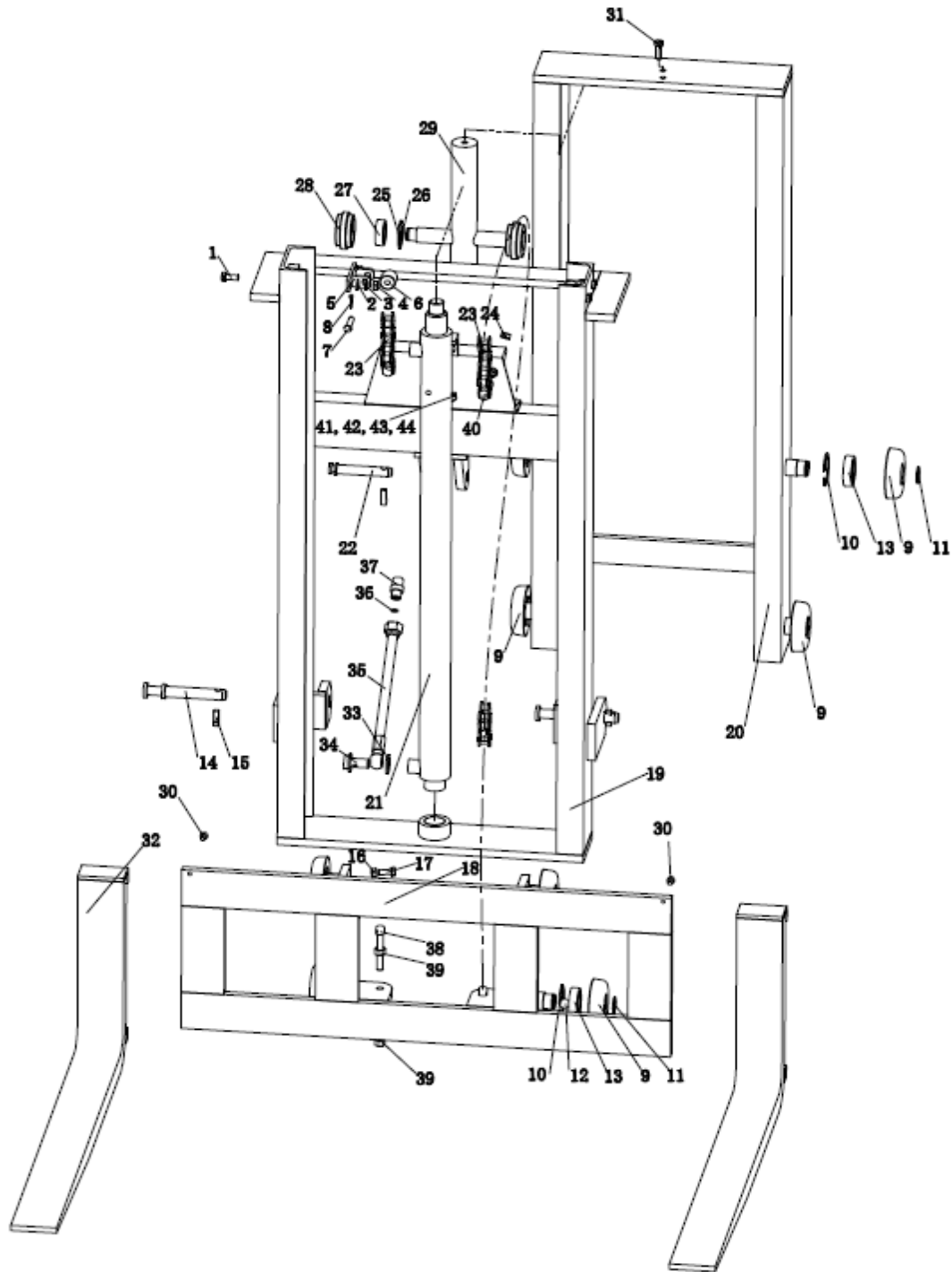
## **2. Specifications**

MODEL	LF270	LF160
DIMENSIONS	1540*1250*2180	1540*1250*1800
MAX LIFT HEIGHT	2.7 M	1.6 M
MAX LIFT WEIGHT	1300 KG	500 KG

Note: in order to meet user's needs continuously, the product is subject to improvement without notice. It may be happened that there are some

difference between the manual/illustrated parts catalogue and the structure of the real products. So the dealers or users are requested to provide serial number of the product while placing order for spare parts.

### 3. Parts list



ITEM	Part No.	DESCRIPTION		QTY	REMARKS
1	GB/T5783-2000	螺栓 M10×25	Bolt M10×25	4	
2	GB/T6170-2000	螺母 M10	Nut M10	4	
3	GB/T97.1-2002	平垫 10	Plain washer 10	4	
4	GB/T93-1987	弹垫 10	Spring washer 10	4	
5	RFL160.010	侧滚轮架	Bracket, side roller	2	
6	RFL160.101	侧滚轮	Spring for drive knob	2	
7	RFL160.102	销轴 9.5	Pin 9.5	2	
8	GB/T91-2000	开口销 4X18	Split pin 4x18	2	
9	RFL160.103	滚轮 1	Wheel 1	4	
10	GB/T893.1-1986	孔用挡圈 62	Retaining ring 62	4	
11	GB/T894.1-1986	轴用挡圈 30	Retaining ring 30	4	
12	GB/T308-2002	钢球 20	Steel ball 20	4	
13	GB/T276-1994	轴 承 6206 2RZ	Bearing 6206 2RZ	4	
14	RFL160.104	下悬挂销 22	Lower pin 22	2	
15	RFL160.105	锁销 12	Lock pin 12	3	
16	GB/T6170-2000	螺母 M12	Nut M12	4	
17	GB/T5783-2000	螺栓 M12×80	Bolt M12x80	4	
18	RFL160.011	前托板焊合件	Front board, weldment	1	
19	RFL160.012	叉车轮架 1	Outer frame, weldment	1	
20	RFL160.013	叉车轮架 2	Inner frame, weldment	1	
21	RFL160.014	油缸	Cylinder	1	
22	RFL160.106	上悬挂销	Hitch pin, upper	1	
23	GB/T1243-1997	链条	Chain	1	
24	GB/T6170-2000	螺母 M18	Nut M18	4	
25	GB/T893.1-1986	孔用挡圈 52	Retaining ring 52	1	
26	GB/T894.1-1986	轴用挡圈 25	Retaining ring 25	2	
27	GB/T276-1994	轴 承 6205 2RS	Bearing 6205 2RZ	2	
28	RFL160.107	滚轮 2	Idler 2	2	
29	RFL160.015	轮轴焊合件	Shaft, weldment	1	
30	GB/T70.1-2000	内六角圆柱螺 栓 M8X16	Screw M8X16	3	
31	GB/T5783-2000	螺栓 M10X30	Bolt M10x30	1	

32	RFL160.106	叉车叉齿	Fork	2	
33	JB1002-77	铜垫 18	Copper gasket	4	
34	RFL160.108	空心螺栓 M18 ×45	Hollow bolt M18	2	
35	RFL160.109	进出油管（通径 10）	Hose	2	
36	GB/T3452.1-92	O 型圈 13X2.4	O-ring 13x2.4	2	
37	RFL160.110	接头 R1/2	Connector R1/2	2	
38	GB/T6170-2000	螺母 M12	Nut M12	4	
39	RFL160.111	螺栓 M12	Bolt 12	4	
40	RFL160.112	螺栓 M18	Bolt 18	4	
41	GB/T5783-2000	螺栓 M8×30	Bolt M8×30	2	
42	GB/T93-1987	弹垫 8	Lock washer 8	2	
43	GB/T97.1-1987	平垫 8	Plain washer 8	2	
44	GB6170-2000	螺母 M8	Nut M8	2	