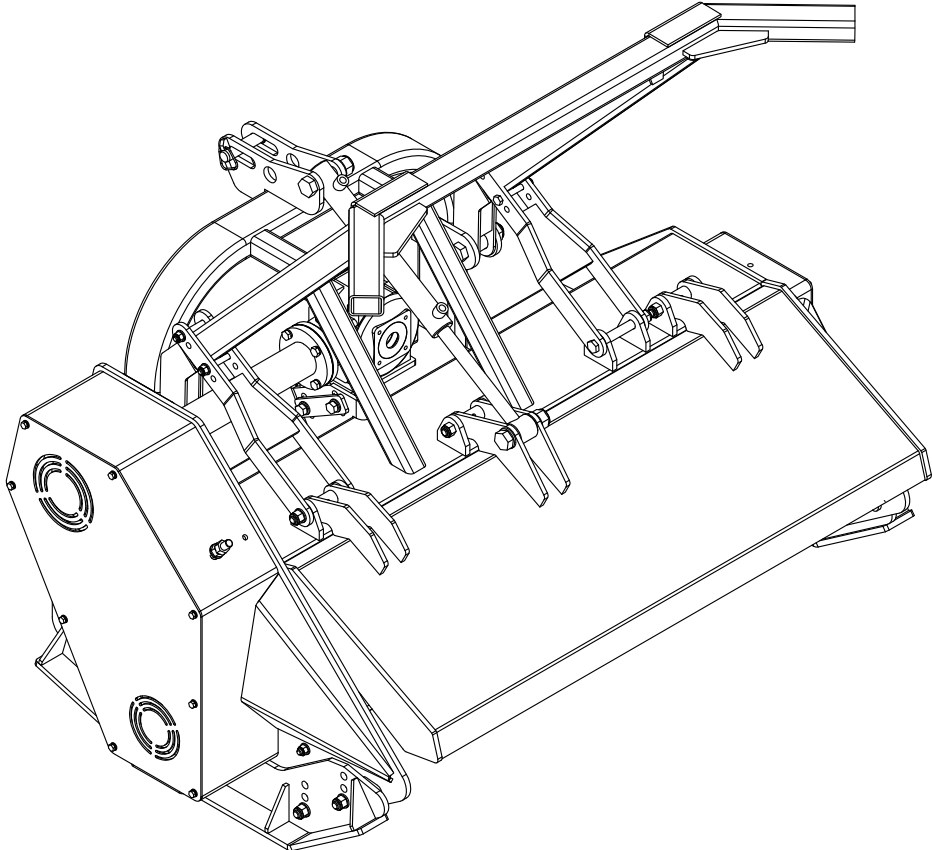
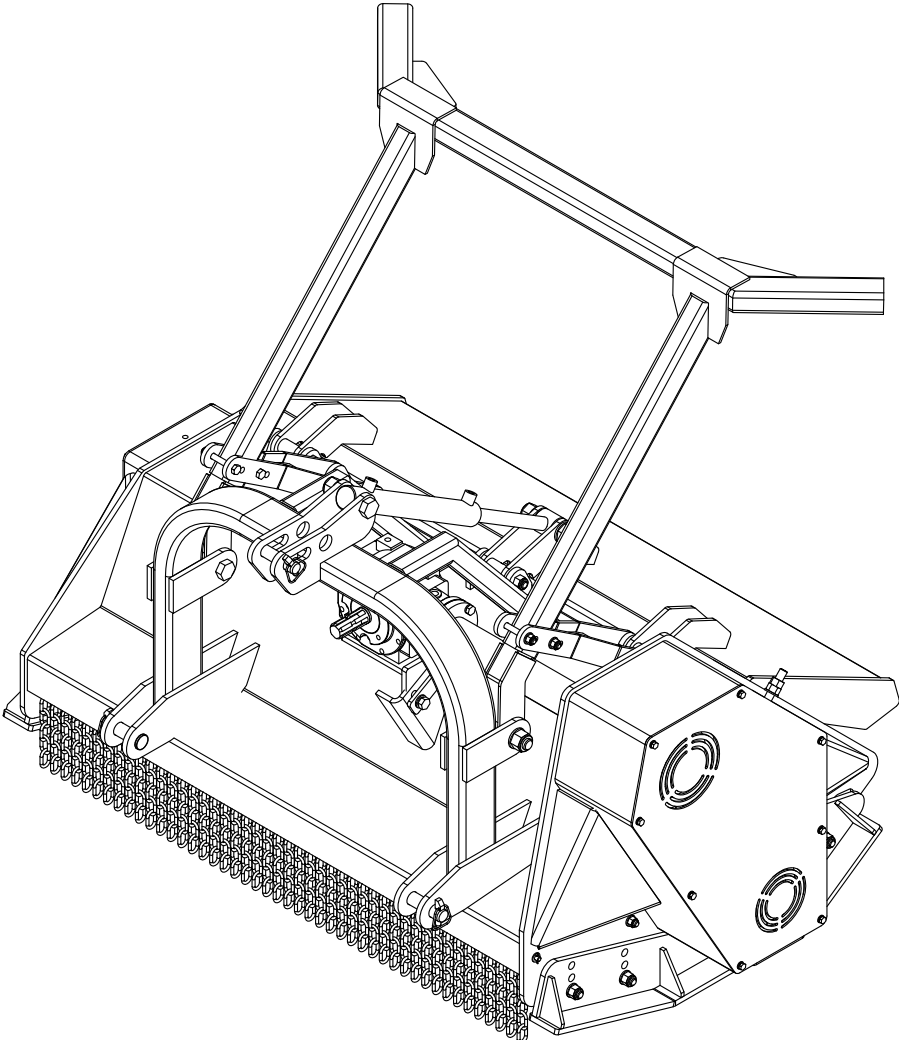
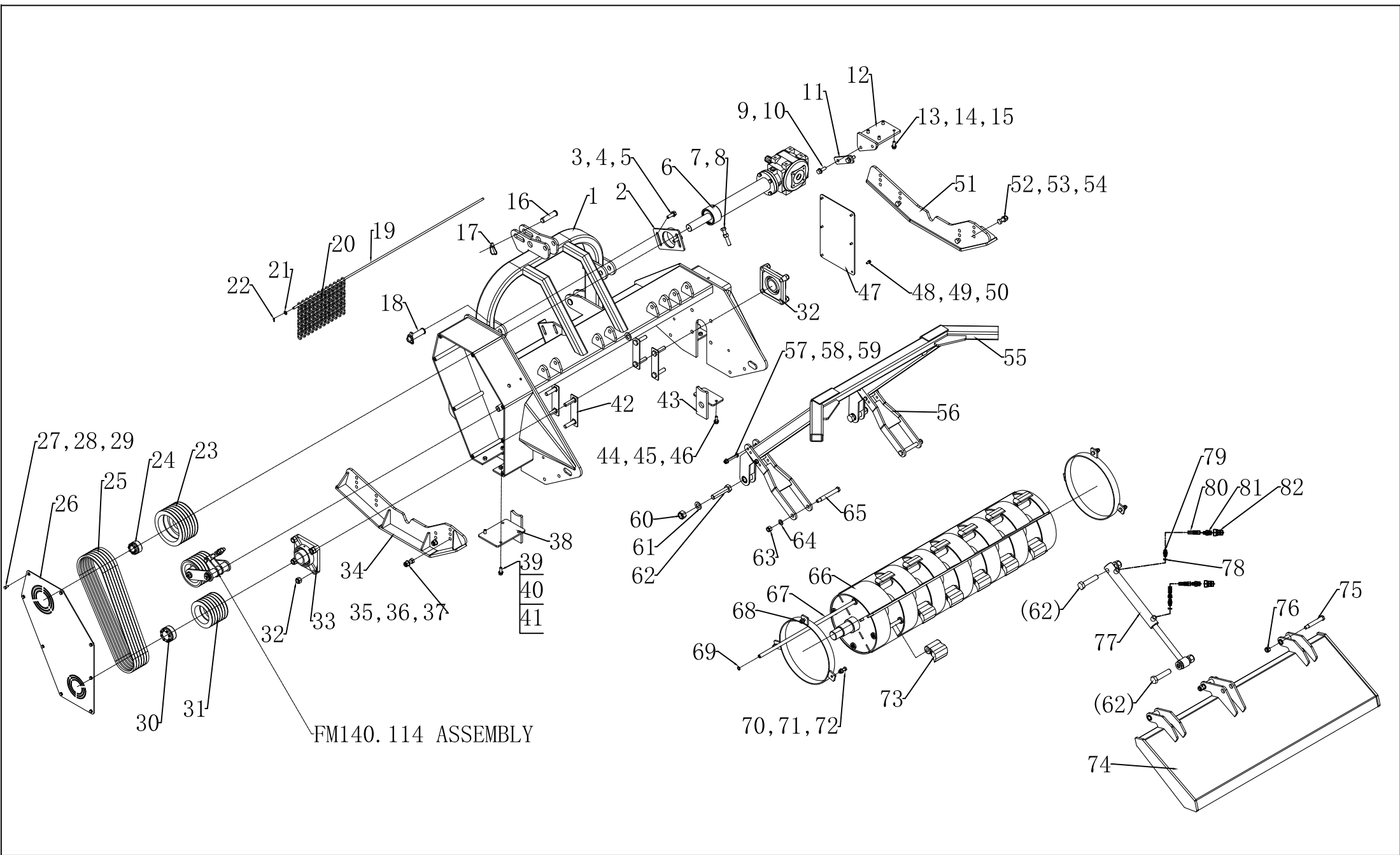


FFM140 PARTSLIST

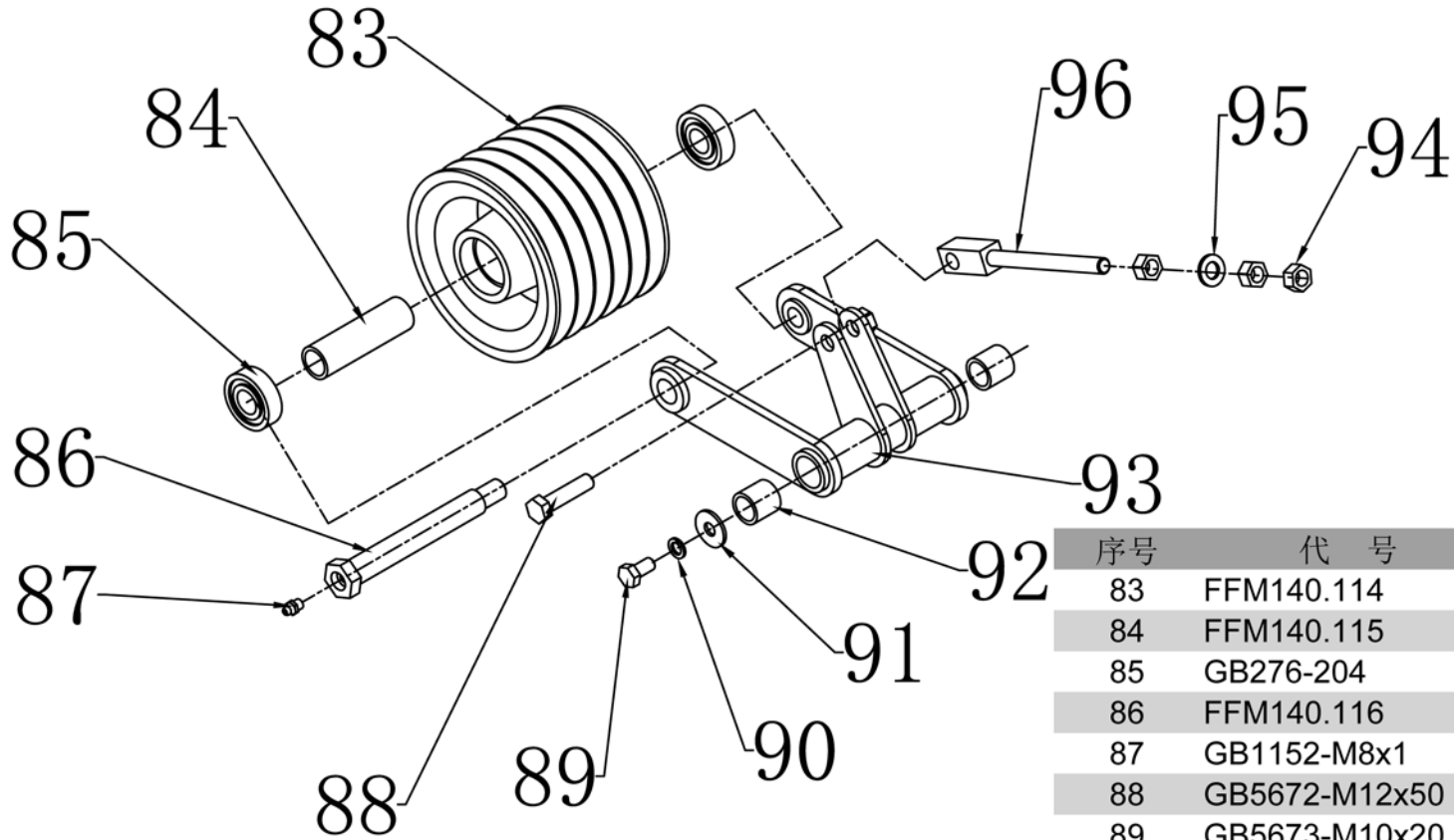




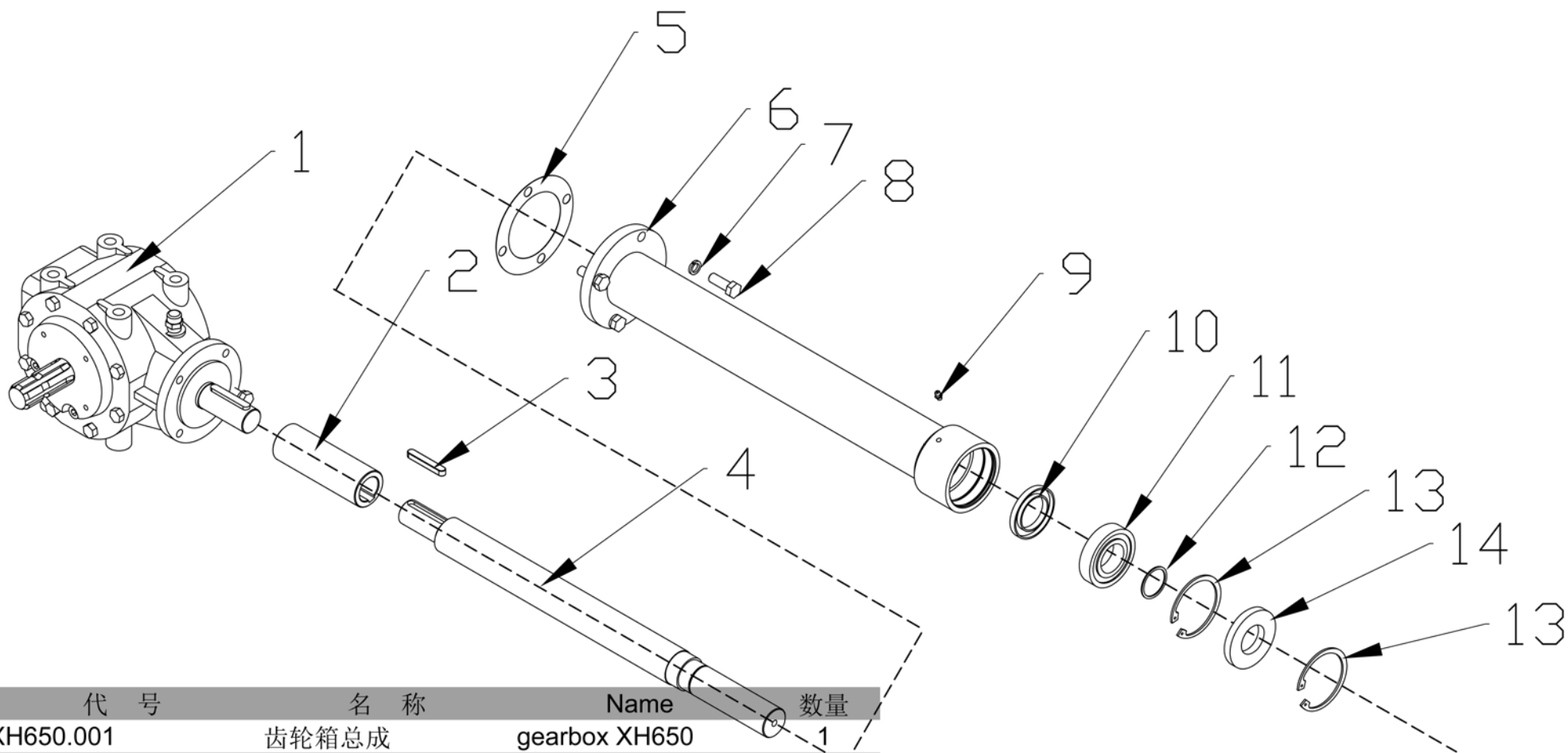
序号	代号	名称	Name	数量	序号	代号	名称	Name	数量
1	FFM140.011	机罩焊合件	body weldment	1	42	FFM140.016	垫板螺栓焊合件	bolt weldment	4
2	D220.018	调节座焊合件	adjust seat	1	43	FFM140.015	右封板焊合件	right plate	1
3	GB97.1-14	平垫圈14	washer 14	2	44	GB97.1-12	平垫圈12	washer 12	2
4	GB93-14	弹垫圈14	spring washer14	2	45	GB93-12	弹垫圈12	spring washer 12	2
5	GB5783-M14x45	螺栓M14x45	bolt M14X45	2	46	GB5783-M12x35	螺栓M12x35	bolt M12X35	2
6	FFM140.004	传动箱总成	gearbox assy	1	47	FFM140.107	右盖板	right cover	1
7	GB5783-M16x90	螺栓M16x90	bolt M16X90	1	48	GB97.1-8	平垫圈8	washer 8	6
8	GB6170-M16	螺母M16	nut M16	1	49	GB93-8	弹垫圈8	spring washer 8	6
9	GB5783-M14x50	螺栓M14x50	bolt M14X50	2	50	GB5783-M8x20	螺栓M8x20	bolt M8X20	6
10	GB93-14	弹垫圈14	spring washer14	2	51	FFM140.017	右滑板焊合件	right skid	1
11	FFM140.101	垫板	plate	1	52	GB5783-M16x50	螺栓M16x50	bolt M16X50	4
12	FFM140.012	齿轮箱座焊合件	gearbox seat	1	53	GB97.1-16	平垫圈16	washer 16	4
13	GB97.1-16	平垫圈16	washer 16	4	54	GB889.1-M16	锁紧螺母M16	lock nut M16	4
14	GB93-16	弹垫圈16	spring washer16	4	55	FFM140.018	防护架焊合件	saft frame	1
15	GB5783-M16x1.5x40	螺栓M16x1.5x40	bolt M16X1.5X40	4	56	FFM140.019	支撑架焊合件	saft frame support	2
16	FFM140.102	上悬挂销	top pin	1	57	GB5782-M12x90	螺栓M12x90	bolt M12X90	4
17	LP 12	锁销 12	lock pin 12	3	58	GB97.1-12	平垫圈12	washer 12	4
18	FFM140.103	下悬挂销	bottom pin	2	59	GB889.1-M12	锁紧螺母M12	lock nut M12	4
19	FFM140.104	链条挂杆	rod	1	60	GB889.1-M24	锁紧螺母M24	lock nut M24	4
20	FFM140.105	链条组合件	chain	46	61	GB97.1-24	平垫圈24	washer 24	4
21	GB97.1-10	平垫圈10	washer 10	2	62	GB5782-M24x110	螺栓M24x110	bolt M24X110	4
22	GB91-3.2x16	开口销3.2x16	split pin 3.2X16	2	63	GB889.1-M16	锁紧螺母M16	lock nut M16	2
23	FFM140.112	大带轮	bigger pulley	1	64	GB97.1-16	平垫圈16	washer 16	2
24	REACH 04-4065	胀套4065	power lock 4065	1	65	FFM140.108	长销轴	long pin	2
25	GB11544-SPB1550	V带SPB1550	V-belt SPB1550	6	66	FFM140.020	转子焊合件	roller	1
26	FFM140.106	左盖板	left cover	1	67	FFM140.109	刀轴	knife pin	4
27	GB97.1-8	平垫圈8	washer 8	8	68	FFM140.021	挡圈焊合件	ring	2
28	GB93-8	弹垫圈8	spring washer 8	8	69	GB893.1-19	孔用挡圈19	internal circlip 19	8
29	GB5783-M8x20	螺栓M8x20	bolt M8X20	8	70	GB889.1-M12	锁紧螺母M12	lock nut M12	6
30	REACH 04-5080	胀套5080	power lock 5080	1	71	GB97.1-12	平垫圈12	washer 12	6
31	FFM140.113	小带轮	small pulley	1	72	GB5783-M12x40	螺栓M12x40	bolt M12X40	6
32	GB889.1-M18	锁紧螺母M18	lock nut M18	8	73	FFM140.110	锄刀	hammer	24
33	UCF212	带座轴承UCF212	bear with seat UCF212	2	74	FFM140.022	后挡板焊合件	rear plate	1

34	FFM140.013	左滑板焊合件	left skid	1	75	FFM140.111	短销轴	short pin	2
35	GB889.1-M16	锁紧螺母M16	lock nut M16	4	76	GB889.1-M16	锁紧螺母M16	lock nut M16	2
36	GB97.1-16	平垫圈16	washer 16	4	77	FFM140.023	油缸组合件	hydraulic cylinder	1
37	GB5783-M16x50	螺栓M16x50	bolt M16X50	4	78	JB/ZQ4454-14	密封垫14	seal washer 14	2
38	FFM140.014	左封板焊合件	left plate	1	79	BH5.60.109	接头14-14	Adapter 14-14	2
39	GB97.1-12	平垫圈12	washer 12	4	80	FFM140.024	油管组合件	hose assy	2
40	GB93-12	弹垫圈12	spring washer 12	4	81	BV160.00.114	过渡接头	Adapter	2
41	GB5783-M12x35	螺栓M12x35	bolt M12X35	4	82	QC-R1/2-M	快换接头R1/2-阳	quickly adapter R1/2 male	2

FM140.114 ASSEMBLY



序号	代号	名称	Name	数量
83	FFM140.114	张紧轮	Tensioner	1
84	FFM140.115	衬套	bush	1
85	GB276-204	轴承204	bearing 204	2
86	FFM140.116	带轮轴	axle	1
87	GB1152-M8x1	油杯M8x1	grease nipple	1
88	GB5672-M12x50	螺栓M12x55	bolt M12X55	1
89	GB5673-M10x20	螺栓M10x20	bolt M10X20	1
90	GB93-10	弹垫圈10	spring washer 10	1
91	GB5287-10	大垫圈10	washer 10	1
92	FFM140.117	衬套	bush	2
93	FFM140.025	张紧轮座焊合件	tensioner seat	1
94	GB6170-M12	螺母M16	nut M16	3
95	GB97.1-12	平垫圈16	washer 16	1
96	FFM140.026	拉杆焊合件	pull rod	1



序号	代号	名称	Name	数量
1	XH650.001	齿轮箱总成	gearbox XH650	1
2	FFM140.402	连接套	connector	1
3	GB1096-A10x65	键A10x65	key A10X65	1
4	FFM140.401	轴	axle	1
5	EFGC125.166	纸垫	paper	1
6	FFM140.041	轴管焊合件	axle pipe	1
7	GB93-12	弹垫圈12	spring washer 12	4
8	GB5786-M12x1.25x35	螺栓M12x1.25x35	bolt M12X1.25X35	4
9	GB1152-89	油嘴M6	grease nipple	1
10	GB13871	油封FB45x70x8	seal FB45X70X8	1
11	GB276-6208	轴承6208	bearing 6208	1
12	GB894.1-40	轴用挡圈40	external circlip 40	1
13	GB893.1-80	孔用挡圈80	internal circlip 80	2
14	GB13871	油封FB40x80x10	seal FB40X80X10	1