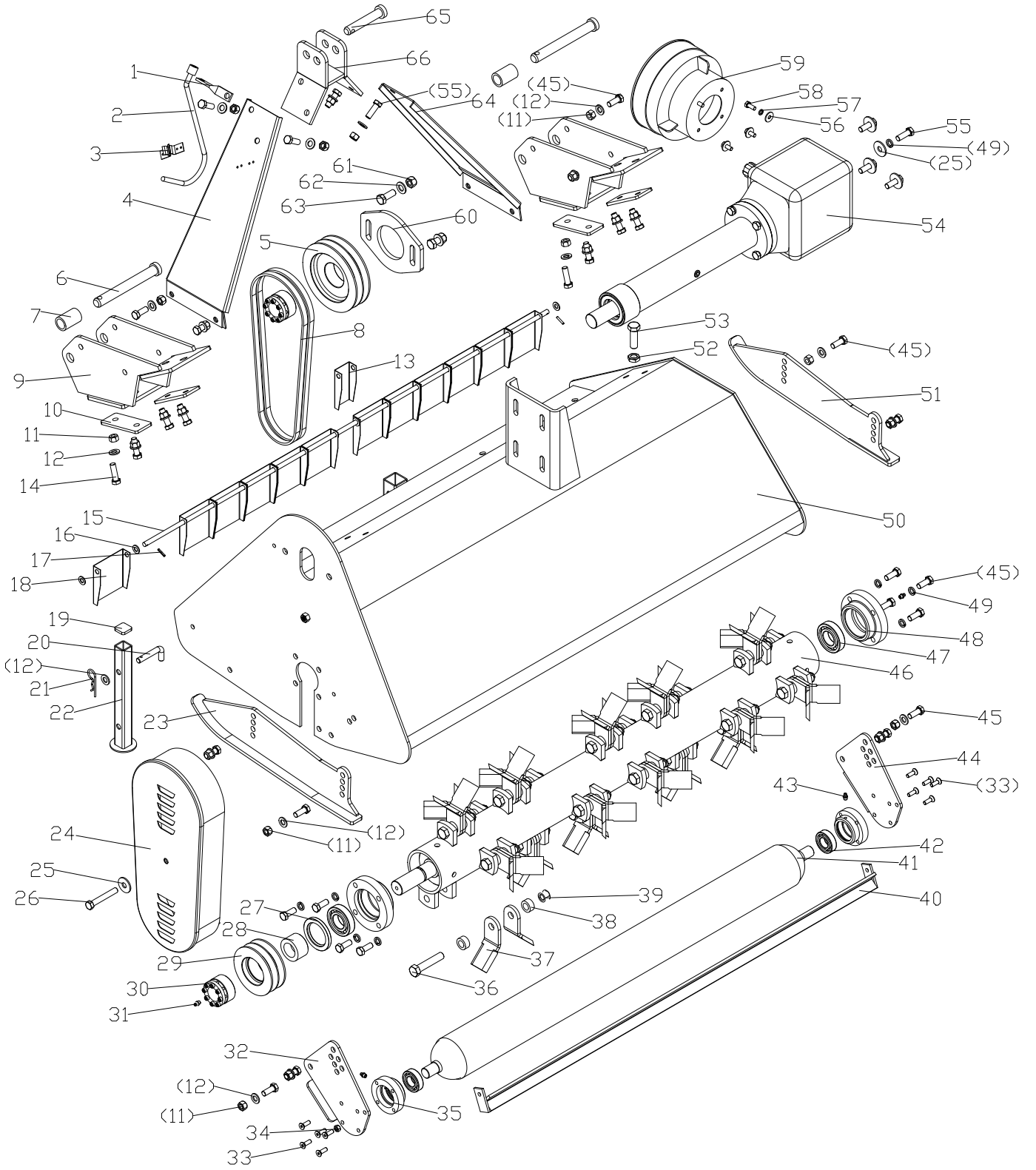


EFGC Flail Mower Assembly



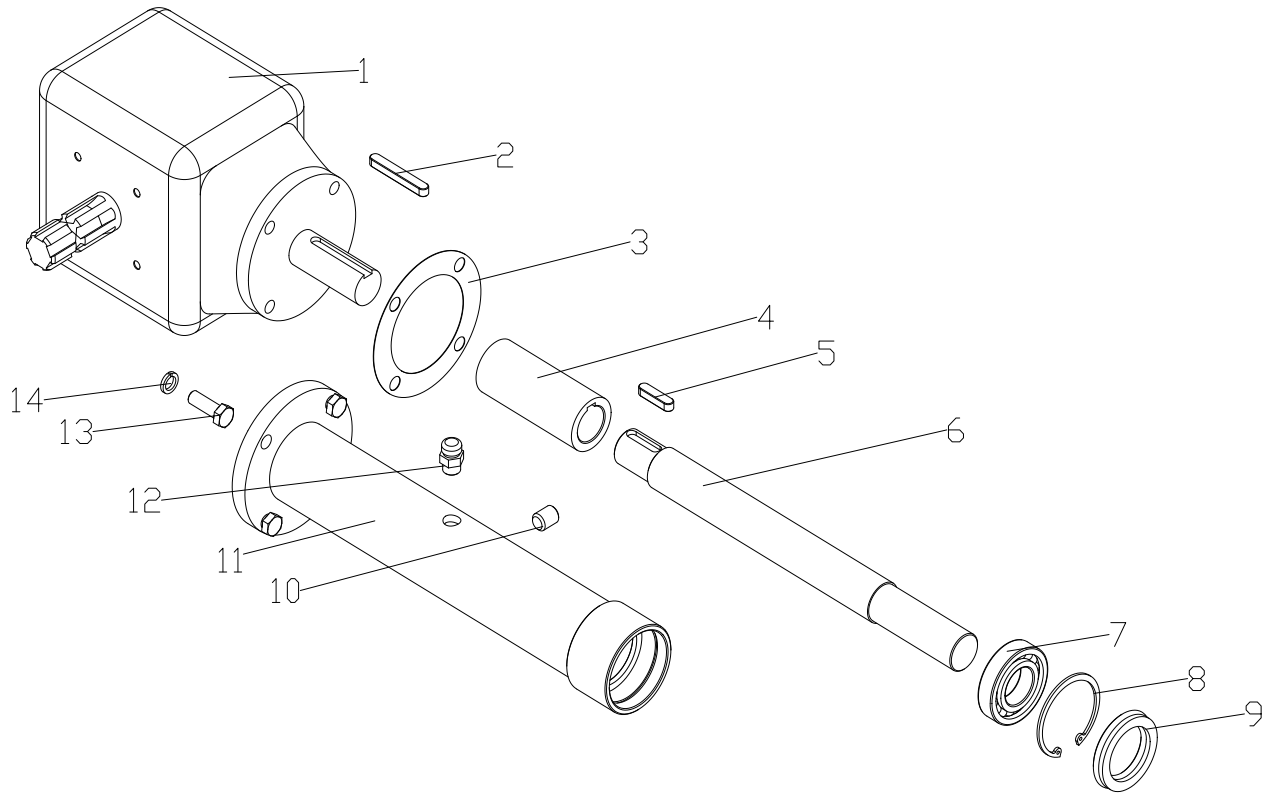
EFGC Flail Mower Parts List

REF	PART NUMBER	DESCRIPTION	名称	QTY
1	EFGC125. 101	Fixing plate	挂钩支板	1
2	EFGC125. 124	Hook	挂钩	1
3	EFGC125. 102	Clamp for hook	挂钩夹	2
4	EFGC125. 021	Suspension plate (R)	右侧悬挂板焊合件	1
5	EFGC125. 121	Big belt ptlley	大皮带轮	1
6	EFGC125. 109	Pin shaft weldment	下悬挂销	2
7	EFGC125. 108	Spacer	悬挂销隔套	2
8	GB/T1154-97/A965	Strap SPB991	齿形 V 带 SPB991	2 (EFGC125)
				2 (EFGC105)
				3 (EFGC145)
				3 (EFGC155)
				3 (EFGC165)
				4 (EFGC175)
9	EFGC125. 013	Hanging weldment	下悬挂焊合件	2
10	EFGC125. 103	Splint	夹板	4
11	GB6184-86/M12	Locking nut M12	防松螺母 M12	24
12	GB97. 1-85/12	Plain washer 12	垫圈 12	40
13	EFGC125. 114	Fender	挡板	1
14	GB5783-86/M12X40	Bolt M12×40	螺栓 M12X40	8
15	EFGC125. 104	Shaft for fender	挡板挂杆	1
16	GB97. 1-85/10	Plain washer 10	垫圈 10	17 (EFGC125)
				15 (EFGC105)
				19 (EFGC145)
				20 (EFGC155)
				21 (EFGC165)
				22 (EFGC175)
17	GB879-86/4X22	Elastic cylindrical pin 4x22	弹性圆柱销 4X22	2
18	EFGC125. 113	Fender	宽挡板	12 (EFGC125)
				10 (EFGC105)
				14 (EFGC145)
				15 (EFGC155)
				16 (EFGC165)
				17 (EFGC175)
19	EFGC125. 112	Cover	端盖	1
20	1G135. 00. 107	Bent pin	支撑脚插销	1
21	EFGC125. 110	R pin	R 销 3. 2	1
22	EFGC125. 111	Supporting frame	支撑脚	1

23	EFGC125. 014	Base plate (L)	左底座焊合件	1
24	EFGC125. 012	Belt cover	皮带轮防护罩	1
25	GB96-85/12	Plain washer 12	加大垫圈 12	5
26	GB5782-86/M12X80	Bolt M12×80	螺栓 M12X80	1
27	GB13871-94/55X80X8	Oil seal FB55X80X8	油封 FB55X80X8	1
28	EFGC125. 116	Oil-sealing sleeve	油封套	1
29	EFGC125. 117	Small belt ptiley	小皮带轮	1
30	JB/T7934Z3/35X60	Swellable sleeve	涨套 REACH 04 型 35X60	2
31	GB1152-89/M8X1	Oil cup M8X1	油嘴 M8X1	2
32	EFGC125. 105	Supporting for roller (R)	右滚筒支撑板	1
33	GB2673-86/M8X25	Hex.head bolt M8X25	内六角花形沉头螺钉 M8X25	10
34	GB6184-86/M8	Locking nut M8	防松螺母 M8	2
35	EFGC125. 107	Bearing	法兰轴承座	2
36	GB5782-86/M16X1. 5X85	Bolt M16x1.5x85	螺栓 M16X1. 5X85	20 (EFGC125)
				16 (EFGC105)
				24 (EFGC145)
				24 (EFGC155)
				28 (EFGC165)
				28 (EFGC175)
37	EFGC125. 122	Blade	刀	40 (EFGC125)
				32 (EFGC105)
				48 (EFGC145)
				48 (EFGC155)
				56 (EFGC165)
				56 (EFGC175)
38	EFGC125. 119	Sleeve	刀座隔套	40 (EFGC125)
				32 (EFGC105)
				48 (EFGC145)
				48 (EFGC155)
				56 (EFGC165)
				56 (EFGC175)
39	GB6184-86/M16X1. 5	Locking nut M16X1.5	防松螺母 M16X1. 5	20 (EFGC125)
				16 (EFGC105)
				24 (EFGC145)
				24 (EFGC155)
				28 (EFGC165)
				28 (EFGC175)
40	EFGC125. 016	Mud shield	刮泥板焊合件	1

41	EFGC125.017	Roller weldment	滾筒焊合件	1
42	UC205	Flange UC205	轴承 UC205	2
43	GB1152-89/M6	Oil cup M6	油嘴 M6	2
44	EFGC125.106	Supporting for roller (L)	左滾筒支撐板	1
45	GB5783-86/M12X30	Bolt M12x30	螺栓 M12X30	23
46	EFGC125.018	Blade axle weldment	刀轴焊合件	1
47	UC207-Z	Flange UC207-Z	轴承 UC207-Z	2
48	EFGC125.115	Bearing	刀轴轴承座	2
49	GB93-87/12	Spring washer 12	垫圈 12	12
50	EFGC125.011	The cover weldment	机罩焊合件	1
51	EFGC125.015	Base plate (R)	右底座焊合件	1
52	GB6173-86/M16x1.5	Nut M16x1.5	螺母 M16x1.5	1
53	GB5786-86/M16X1.5X50	Bolt M16X1.5X50	螺栓 M16X1.5X50	1
54	EFGC125.019	Gearbox assembly	传动箱总成	1
55	GB5783-86/M12X35	Bolt M12x35	螺栓 M12X35	5
56	GB96-85/8	Plain washer 8	加大垫圈 8	4
57	GB93-87/8	Spring washer 8	垫圈 8	4
58	GB5783-86/M8X20	Bolt M8x20	螺栓 M8X20	4
59	FM150.120	Guard shade	传动轴罩	1
60	EFGC125.120	Tension plate	张紧板	1
61	GB6184-86/M14	Locking nut M14	防松螺母 M14	2
62	GB97.1-85/14	Plain washer 14	垫圈 14	2
63	GB5783-86/M14X35	Bolt M14x35	螺栓 M14X35	2
64	EFGC125.023	Suspension plate (L)	左侧悬挂板焊合件	1
65	EFGC125.123	Pin shaft	上拉杆销	1
66	EFGC125.022	Bracket weldment	上拉杆支架焊合件	1

Gearbox Assembly



Gearbox Parts List

REF	PART NUMBER	DESCRIPTION	名称	QTY
1	XH50. 300Z. 02	Gearbox assembly	齿轮箱总成	1
2	GB1096-79/A10X70	Key A10X70	键 A10X70	1
3	EFGC125. 166	Paper gasket	纸垫	1
4	EFGC125. 167	Connected sleeve	连接套	1
5	GB1096-79/A10X40	Key A10X40	键 A10X40	1
6	EFGC125. 168	Shaft	轴	1
7	GB/T276-94/6207	Bearing 6207	轴承 6207	1
8	GB893. 1-86/72	Circlip 72	挡圈 72	1
9	GB13871-94/35X72X10	Oil seal 35×72×10	油封 FB35X72X10	1
10	ZBT 32001. 3-87	Retainer	内六角锥形螺塞 ZG3/8"-19	1
11	EFGC125. 020	Shaft tube weldment	轴管焊合件	1
12		Bolt of plug screw M16X1. 5	通气螺塞 M16X1. 5	1
13	GB5783-86/M12X35	Bolt M12X35	螺栓 M12X35	4
14	GB93-87/12	Spring washer 12	垫圈 12	12