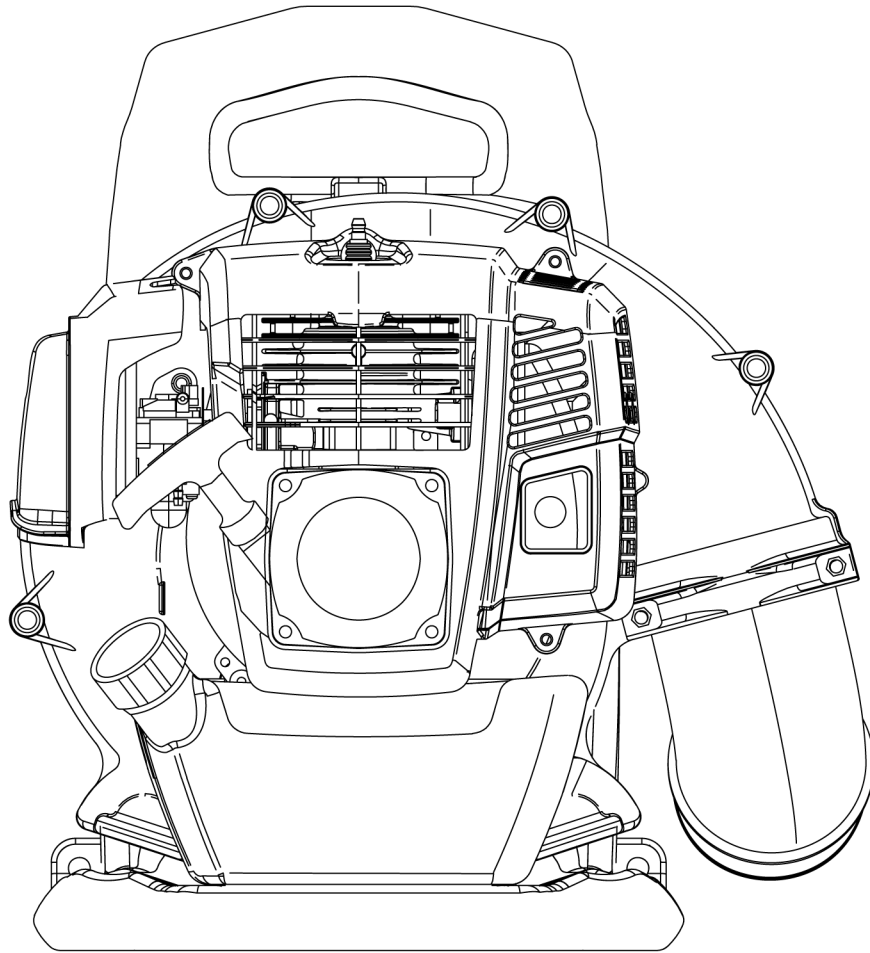


ENGINE BLOWER



MODEL:EB430

INTRODUCTION

The Back-Pack Blower model EB430 was designed and manufactured to provide long life and on-the-job-dependability. Read and understand this manual. You will find it easy to use and full of helpful operating tips and SAFETY messages.

THE OPERATOR'S MANUAL

contains specifications and information for operation, starting, stopping, maintenance, storage and assembly specific to this product.

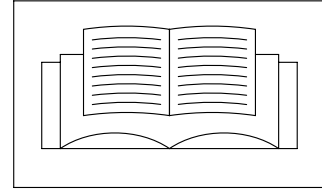


TABLE OF CONTENTS

<i>Introduction.....</i>	<i>2</i>
<i>- The Operator' s Manual.....</i>	<i>2</i>
<i>Safety</i>	<i>3</i>
<i>-Decals.....</i>	<i>3</i>
<i>-International Symbols.....</i>	<i>4</i>
<i>Safety Instructions.....</i>	<i>4</i>
<i>-Personal Condition and Safety Equipment.....</i>	<i>4</i>
<i>-Equipment.....</i>	<i>5</i>
<i>-Safe Operation.....</i>	<i>5</i>
<i>Assembly.....</i>	<i>6</i>
<i>-Specifications.....</i>	<i>6</i>
<i>Pre-Operation.....</i>	<i>7</i>
<i>-Fuel.....</i>	<i>7</i>
<i>Operation.....</i>	<i>9</i>
<i>-Starting Cold Engine.....</i>	<i>9</i>
<i>-Starting Warm Engine.....</i>	<i>9</i>
<i>-Stopping Engine.....</i>	<i>10</i>
<i>-Operating Blower.....</i>	<i>10</i>

Maintenance.....	10
-Skill Levels.....	11
-Maintenance Intervals.....	12
-Air Filter.....	12
-Spark Plug.....	12
Troubleshooting.....	12
Storage.....	14

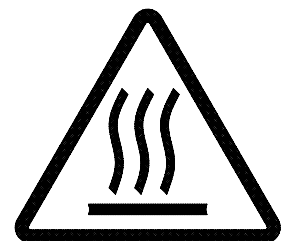
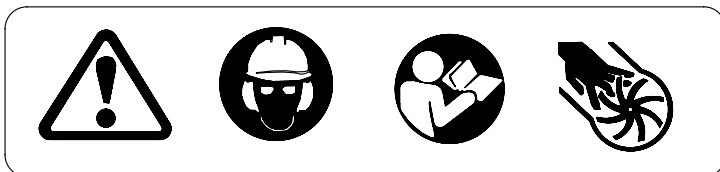
Specifications, descriptions and illustrative material in this literature are as accurate as known at the time of publication, but are subject to change without notice. Illustrations may include optional equipment and accessories, and may not include all standard equipment.

SAFETY






DECALS

Locate these safety decals on your unit. The complete unit illustration, found in the "DESCRIPTION" section, will help you locate them. Make sure the decals are legible and that you understand and follow the instructions on them. If a decal cannot be read, a new one can be ordered from your dealer. See PARTS ORDERING instructions for specific information.

GENERAL WARNING DECAL (located on top of blower housing) **HOT DECAL** (near muffler)



INTERNATIONAL SYMBOLS

Symbol Form/shape					
Symbol description/application	Read and understand Operator's Manual	Wear eyes, ears and head protection	Hot Surface	Safety/Alert	Finger Severing

SAFETY INSTRUCTIONS

PERSONAL CONDITION AND SAFETY EQUIPMENT

WARNING  **DANGER**

Power Blower users risk injury to themselves and others if the power blower is used improperly and or safety precautions are not followed. Proper clothing and safety gear must be worn when operating a blower.

physical condition--

Your judgment and physical dexterity may not be good;

if you are tired or sick,

if you are taking medication,

if you have taken alcohol or drugs.

Operate unit only if you are physically and mentally well.

Eye Protection--

Wear eye protection that meets EN166 or CE

requirements whenever you operate the blower.

Hand Protection--

Wear no-slip, heavy duty work gloves to improve your

grip on the blower handle. Gloves also reduce the

transmission of machine vibration to your hands.

Breathing Protection--

Wear a face mask to protect against dust.

Hearing Protection--

We recommend wearing hearing protection whenever unit is used.

Proper Clothing--

Wear snug fitting,durable clothing;

Pants should have long legs,shirts with long sleeves.

DO NOT WEAR SHORTS,

DO NOT WEAR TIES,SCARVES,JEWELRY.

Wear sturdy work shoes with nonskid soles;

DO NOT WEAR OPEN TOED SHOES,

DO NOT OPERATE UNIT BAREFOOTED.

Keep long hair away from engine and blower intake.Retain hair with cap or net.

Hot Humid Weather--

Heavy protective clothing can increase operator fatigue which may lead to heat stroke.Schedule heavy work for early morning or late afternoon hours when temperatures are cooler.

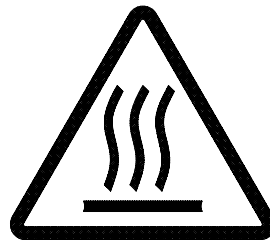
EQUIPMENT

Before operation a complete check of the unit must be performed:

Check unit for loose/missing nuts, bolts and screws. Tighten and/or replace as needed.

Inspect fuel lines,tank and area around carburetor for fuel leaks.DO NOT operate unit if leaks are found.

Keep exhaust area clear of flammable debris.Avoid contact during and immediately after operation.



SAFE OPERATION

Determine Operation Area--

Review area to be cleared.Look for potential hazards such as stones or metal objects.

Spectators and fellow workers must be warned,and children and animals prevented from coming nearer than 15m while the blower is in use.

Take wind conditions into account:avoid open doors and windows.

Provide all operators of this equipment with the Operator's Manual and instructions for safe operation.

Do not point blower at people or animals.

Start unit on ground with throttle at idle. Check that blower pipe is not blocked by the ground or by any objects.

WARNING  **DANGER**

Do not operate this product indoors or in inadequately ventilated areas. Engine exhaust contains poisonous emissions and can cause serious injury or death.

Keep A Firm Grip

Hold handle with fingers together encircling the handle.

Keep A Solid Stance

Maintain footing and balance at all times. Do not stand on slippery, uneven or unstable surfaces. Do not work in odd positions or on ladders.

Do not perform Maintenance or Assembly procedures with engine running.

Noise Control

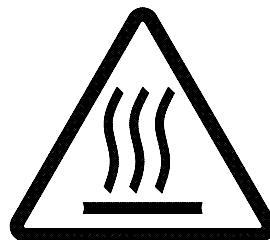
Follow local noise regulations on sound levels and hours of operations. Use only during appropriate hours.

Never use a higher speed setting than necessary to perform a task. The higher the engine speed the louder the blower noise.

Be a good neighbor.

Avoid Hot Surfaces

During operation, the muffler or catalytic muffler and surrounding cover may become extremely hot. Avoid contact during and immediately after operation. Always keep exhaust area clear of flammable debris. Allow the engine and muffler to completely cool before performing any maintenance activity.



ASSEMBLY

SPECIFICATIONS

<i>MODLE</i>	<i>EB430</i>
<i>Engine Type</i>	<i>Air cooled,two-stroke,single cylinder gasoline engine</i>
<i>Ignition System</i>	<i>Flywheel Magneto,capacitor discharge ignition type</i>
<i>Spark plug</i>	<i>AT4117 Gap (0.6~0.7) mm</i>
<i>Exhaust System</i>	<i>Spark Arrestor Muffler</i>
<i>Fuel</i>	<i>Mixed (Gasoline and Two-stroke Oil)</i>
<i>Oil</i>	<i>30: 1 High Performance,two-stroke air cooled engine oil</i>
<i>Idle Speed</i>	<i>(2600-3000) /min</i>
<i>Wide Open Throttle Speed</i>	<i>≥7000/min</i>
<i>Displacement</i>	<i>42.7cc</i>
<i>Bore</i>	<i>40.0mm</i>
<i>Stroke</i>	<i>34.0mm</i>
<i>Fuel Consumption</i>	<i>≤610g/kW.h</i>
<i>Vibration values</i>	<i>≤15 m/s²</i>
<i>Sound power values</i>	<i>≤108 dB(A)</i>
<i>Maximum output</i>	<i>1.25kW/6800/min</i>
<i>Fuel Tank Capacity</i>	<i>1 litres</i>
<i>Air velocity</i>	<i>≥60m/S</i>
<i>Air volume</i>	<i>≥0.2m³/S</i>
<i>Net weight</i>	<i>6.1 kg</i>
<i>Dimension(mm)</i>	<i>410×330×485</i>

PRE- OPERATION

FUEL

Fuel Requirements

Use only fresh ,clean fuel

Mix all fuels with premium 2-cycle engine oil at a gasoline/oil ratio of 30:1

Mixing Instructions

- 1.Fill an approved fuel container with half of the required amount of gasoline.*
- 2.Add 2-stroke oil to gasoline.*
- 3.Close container and shake to mix oil with gasoline.*
- 4.Add remaining gasoline and remix.*
- 5.Install fuel container cap and wipe any spilled fuel from container and surrounding area.*

Handling Fuel

WARNING



DANGER

Fuel is VERY flammable. Use extreme care when mixing, storing or handling or serious personal injury may result.

Use an approved fuel container.

DO NOT smoke near fuel.

DO NOT allow flames or sparks near fuel.

Fuel tanks/cans may be under pressure. Always loosen fuel caps slowly allowing pressure to equalize.

NEVER refuel a unit when the engine is HOT.

NEVER refuel a unit with the engine running.

DO NOT fill fuel tanks indoors. ALWAYS fill fuel tanks outdoors over bare ground.

Securely tighten fuel cap after refueling.

Inspect for fuel leakage. If fuel leakage is found, do not start or operate unit until leakage is repaired.

IMPORTANT

Spilled fuel is a leading cause of hydrocarbon emissions. Some states may require the use of automatic fuel shut-off containers to reduce fuel spillage. Contact your dealer for ordering information.

After Refueling-

Wipe any spilled fuel from the unit.

Move at least 3m from refueling location before starting.

After use-

DO NOT store a unit with fuel in its tank. Leaks can occur.

Return unused fuel to an approved fuel storage container.

Storage-

Fuel storage laws vary by locality. Contact your local government for the laws

affecting your area. As a precaution, store fuel in an approved, air tight container. Store in a well ventilated, unoccupied building, away from sparks and flames. Do not store fuel longer than 30 days.

IMPORTANT

Stored fuel ages. Do not mix more fuel than you expect to use in thirty days, ninety days when a fuel stabilizer is added.

Stored two-stroke fuel may separate. ALWAYS shake fuel container thoroughly before each use.

OPERATION

Recoil starter: Use short pulls—only 1/2–2/3 of rope length for starting. Do not allow the rope to snap back in. Always hold the unit firmly.

Rotate spring loaded throttle handle downward to a comfortable operating position.

STARTING COLD ENGINE

1. Move throttle lever to START position.

2. Close Choke—Cold Start.

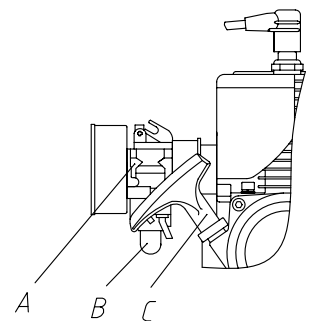
Move choke (A) up to “Cold Start” position.

3. Primer Bulb—Prime.

Pump primer bulb (B) until fuel is visible and flows freely in the clear fuel tank return line. Pump bulb an additional 4 or 5 times.

4. Pull recoil starter handle (C) until engine fires (5 or 6 pulls)

5. Move choke (A) to run position and if necessary, restart engine.



NOTE

If engine does not start after 5 pulls, use cold start procedures.

NOTE

Allow engine to warm up before use.

STARTING WARM ENGINE

1. Move throttle lever to start/idle detent position.

2. Pull recoil starter handle (C) and engine should start. Do not use choke (A).

NOTE

If engine does not start after 5 pulls, use cold start procedures.

STOPPING ENGINE

1. Move the throttle lever to the idling position and press the stop switch until the engine comes to a complete stop.

OPERATING BLOWER

WARNING DANGER

Always wear safety glasses, hearing protection, a face filter mask and take all safety precautions or serious personal injury may result. Do not point the blower pipe in the direction of people or pets.

Read the Safety Section on pages 3 and 6 carefully.

IMPORTANT

To avoid engine damage due to over revving, do not block blower pipe opening.

- 1. Use only during appropriate hours.*
- 2. Allow the engine to warm up at a fast idle for a few minutes.*
- 3. Set engine speed with throttle lever.*
- 4. Use lower speed to blow dry leaves from walks, patios and drives.*
- 5. Additional speed may be necessary to clean grass and leaves from a lawn or flower bed.*
- 6. Higher speed may be necessary to move gravel, dirt, snow, bottles or cans from a driveway, street, parking lot or stadium.*

MAINTENANCE

Your blower is designed to provide many hours of trouble free service. Regular scheduled maintenance will help your blower achieve that goal. If you are unsure or are not equipped with the necessary tools, you may want to take your unit to an Service Dealer for maintenance. To help you decide whether you want to DO-IT-YOURSELF or have the Dealer do it, each maintenance task has been graded. If task is not listed, see your Dealer for repairs.

MAINTENANCE INTERVALS

Component/System	Maintenance Procedure	Before Use	Every Refuel	Daily Every 4 Hours	3 Months or 90 Hours	6 Months or 270 Hours	Yearly
<i>Air Filter</i>	<i>Inspect/Replace</i>	I/C		I/C		R	
<i>Fuel Strainer</i>	<i>Inspect/Replace</i>				I		R
<i>Fuel Line</i>	<i>Inspect/Replace</i>	I	I				R
<i>Carburetor</i>	<i>Inspect/Replace</i>					I (1)	R (1)
<i>Choke System</i>	<i>Inspect/Replace</i>		I				
<i>Cooling System</i>	<i>Inspect/Clean</i>	I/C		I/C			
<i>Cylinder Exhaust Port</i>	<i>Inspect/Clean/Decarbon</i>				I/C		
<i>Muffler Spark Arrestor</i>	<i>Inspect/Clean/Replace</i>				I		R
<i>Recoil Rope</i>	<i>Inspect/Clean</i>	I					I
<i>Fuel Leaks</i>	<i>Inspect/Repair</i>	I					I
<i>Spark Plug</i>	<i>Clean/Replace</i>				I/C	R	
<i>Ignition System</i>	<i>Clean/Replace</i>	No Maintenance required for coil and flywheel					
<i>Screws/Nuts/Bolts</i>	<i>Inspect/Tighten/Replace</i>	I					

I=Inspect,C=Clean,R=Replace

IMPORTANT

Time intervals shown are maximum. Actual use and your experience will determine the frequency of required maintenance.

All recommendations to replace are based on finding damaged or wear during inspection.

(1) Replacement will be required for Commercial use after 600 hours. For Consumer use, cleaning every 6 months is required.

Cleaning includes rebuild kits.

AIR FILTER

1. Close choke (Cold Start Position) . This prevents dirt from entering the carburetor throat when the air filter is removed.

Brush accumulated dirt from the air cleaner area.

2. Remove the air cleaner cover. Clean and inspect the element for damage. If element is fuel soaked and very dirty, replace.

3. If element can be cleaned and reused, be certain it:

- still fits the cavity in the air cleaner cover.

- is installed with the original side out.

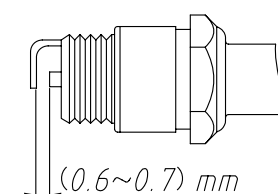
SPARK PLUG

1. Remove spark plug, and check for fouling, worn and rounded center electrode.

2. Clean the plug or replace with a new one. DO NOT sand blast to clean. Remaining sand will damage engine.

3. Adjust spark plug gap by bending outer electrode.

4. Tighten spark plug to (145-155) kg/cm.



TROUBLESHOOTING

WARNING  **DANGER**

Fuel vapors are extremely flammable and/or explosion. Never test for ignition spark near an open spark plug opening, otherwise serious personal injury may result.

Problem		Cause	Remedy
<i>Engine-starts hard Engine-does not start</i>			
<i>Engine Cranks</i>	<i>Fuel at carburetor</i>	<i>No fuel at carburetor</i>	<i>Fuel strainer clogged Fuel line clogged Carburetor</i>
	<i>Fuel at cylinder</i>	<i>No fuel at cylinder</i>	<i>Carburetor</i>
		<i>Muffler wet with fuel</i>	<i>Fuel Mixture is too rich Open choke Clean/replace air filter Adjust carburetor See your dealer</i>
	<i>Spark at end of plug wire</i>	<i>No spark at end of plug wire</i>	<i>Stop switch off Electrical problem Interlock switch</i>
	<i>Spark at plug</i>	<i>No spark at plug</i>	<i>Spark gap incorrect Covered with carbon Fouled with fuel Spark plug defective</i>
<i>Engine does not crank</i>			<i>Internal engine problem See your dealer</i>
<i>Engine runs</i>	<i>Dies or accelerates poorly</i>		<i>Air filter dirty Fuel filter dirty Fuel vent plugged Spark plug Carburetor Cooling system plugged Exhaust port/spark arrestor screen plugged</i>
<i>Engine runs properly</i>	<i>Blower does not work, is weak or uneven</i>	<i>Blower Pipe clogged, loose or damaged</i>	<i>Unclog Tighten Replace</i>

STORAGE

WARNING  **DANGER**

During operation the muffler or catalytic muffler and surrounding cover become hot. Always keep exhaust area clear of flammable debris during transportation or when storing, otherwise serious property damage or personal injury may result.

Long Term Storage (Over 30 Days)

Do not store your unit for a prolonged period of time (30 days or longer) without performing protective storage maintenance which includes the following:

1. Store unit in a dry, dust free place, out of the reach of children.

WARNING  **DANGER**

Do not store in enclosure where fuel fumes may accumulate or reach an open flame or spark.

2. Place the switch in the "STOP" position.

3. Remove accumulation of grease, oil, dirt and debris from exterior of unit.

4. Perform all periodic lubrication and services that are required.

5. Tighten all screws and nuts.

6. Drain the fuel tank completely and pull the recoil starter handle several times to remove fuel from the carburetor.

7. Remove the spark plug and pour 7cc (1/4oz, 1/2tablespoon) of fresh, clean 2-stroke engine oil into the cylinder through the spark plug hole.

A. Place a clean cloth over the spark plug hole.

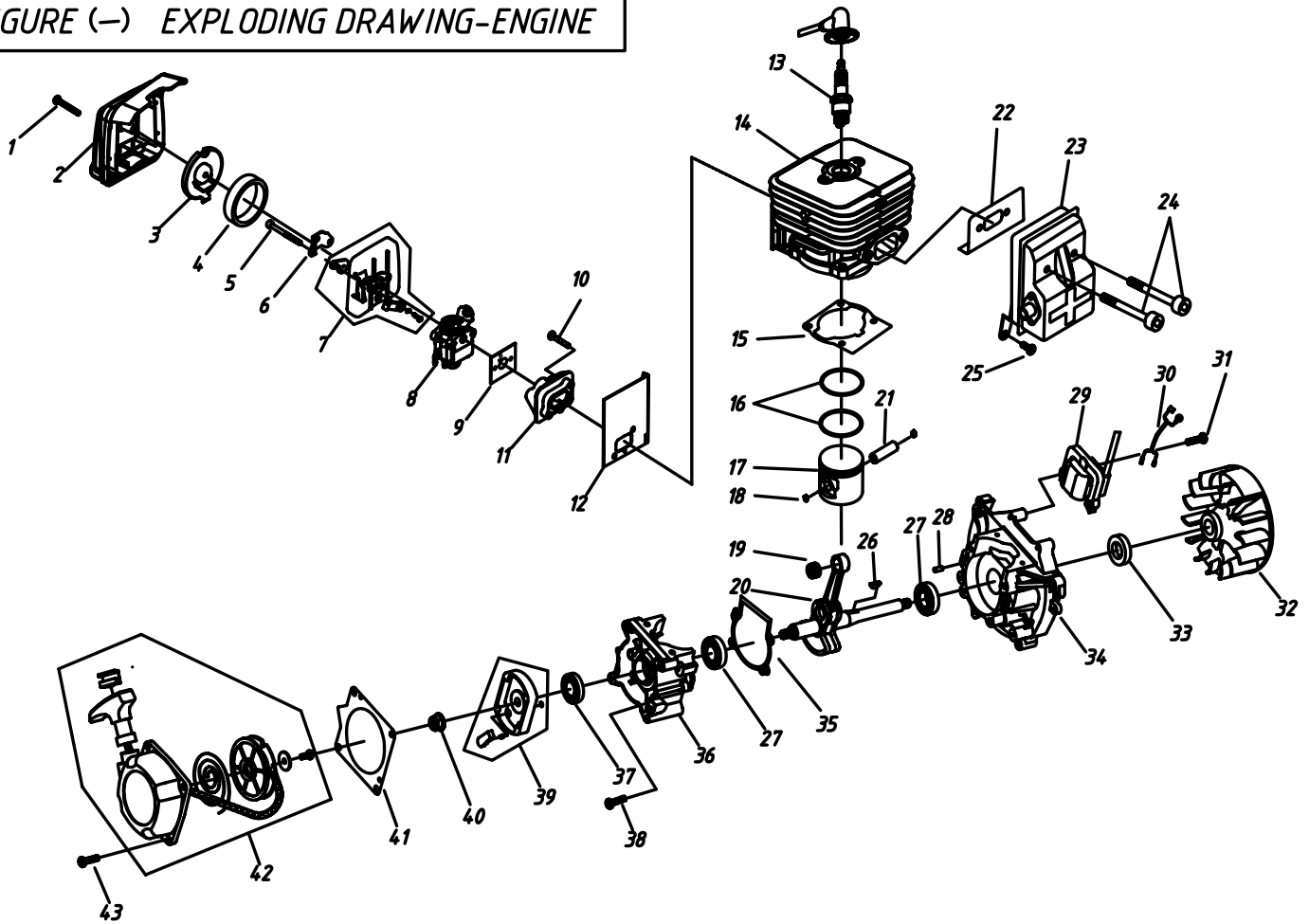
B. Pull the recoil starter handle 2-3 times to distribute the oil inside the engine.

C. Observe the piston location through the spark plug hole. Pull the recoil handle slowly until the piston reaches the top of its travel and leave it there.

8. Install the spark plug (do not connect ignition cable) .

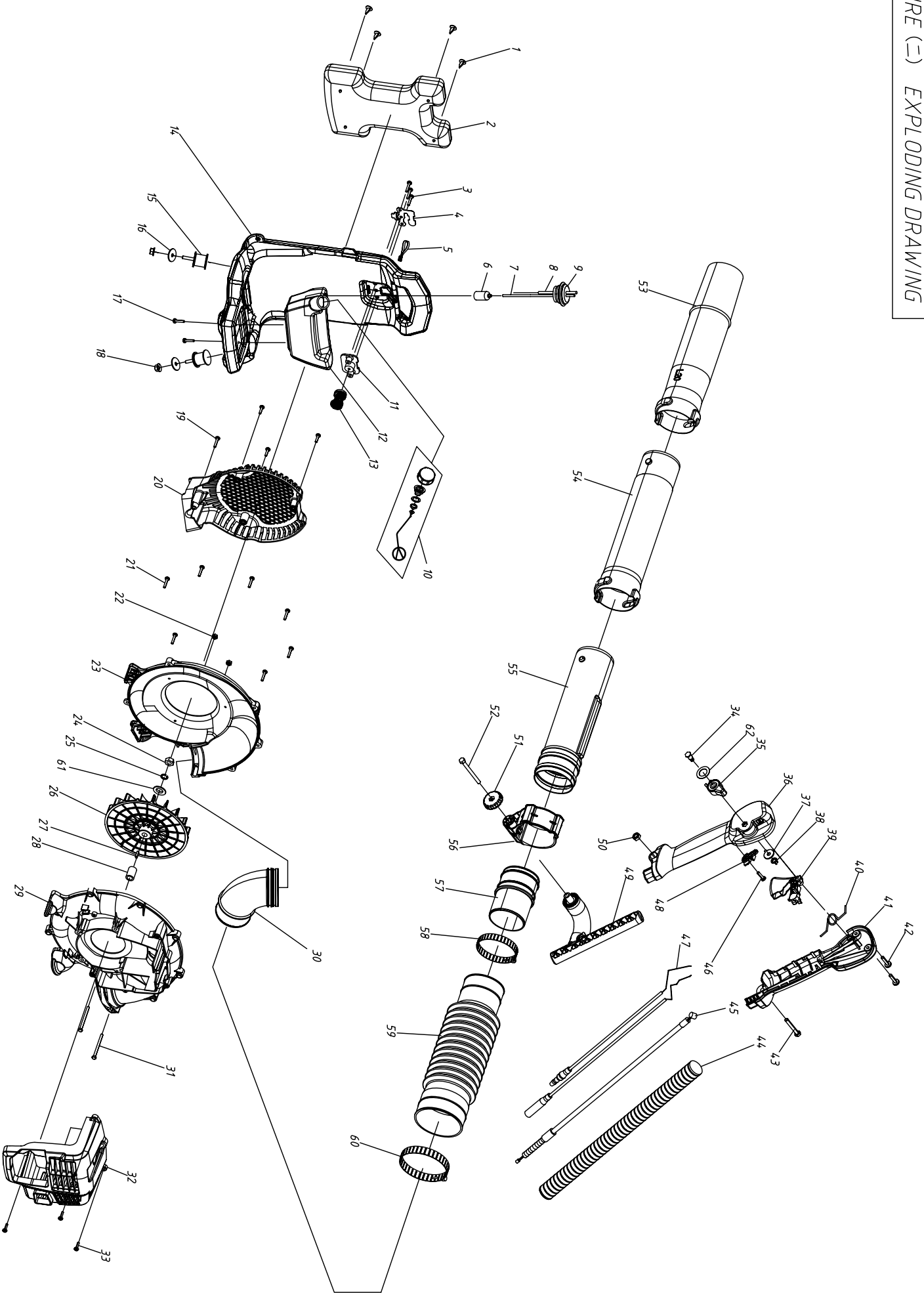
9. Remove blower pipe assembly from unit.

FIGURE (-) EXPLODING DRAWING-ENGINE



SER.NO	PART NAME	PART NO.	QTY.	SER.NO	PART NAME	PART NO.	QTY.	SER.NO	PART NAME	PART NO.	QTY.
1	SCREW M5x30	GB/T9074.4	1	18	"E" clip	1E40F-03.02.01	2	35	GASKET-CRANK CASE	1E40F-5.8-4	1
2	AIR FILTER COVER	1E40F-5B-1	1	19	NEEDLE BEARING	1E40F-5.4-2	1	36	CRANK CASE-REAR	1E40F-5.8-2	1
3	INSIDE COVER	1E40F-5A.1-2	1	20	CRANK SHAFT	3WB-900	1	37	SEAL	1E36F.2	1
4	AIR FILTER	1E34F.1-1	1	21	PISTON PIN	1E46FP.6-3	1	38	SCREW M5x30		4
5	SCREW M5x55		2	22	GASKET-MUFFLER	1E40F-5-5	1	39	STARTER REEL	1E40F-5.7-1	1
6	BUFLER	1E40F-5A.1.2	1	23	MUFFLER	1E40F-5.2	1	40	NUT M8	GB/T6170	1
7	AIR FILTER BASE	1E40F-5A.1	1	24	SCREW M6x60		2	41	GASKET	1E40F-5-10	1
8	CARBURETOR	1E40F-5B-2	1	25	SCREW M5x12	50845	1	42	STARTER ASSEMBLY	1E40F-5.11	1
9	GASKET-CARB	1E40F-5A-1	1	26	KEY 3x13	50012	1	43	SCREW M5x20		4
10	SCREW M5x25	50535	2	27	MAIN BEARING	6202/P5	2				
11	CARB-ADAPTOR	1E40F-5A.2	1	28	PIN 5x12	GB119	2				
12	GASKET-ADAPTOR	1E40F-5B-3	1	29	IGNITION MODUL	1E40F-5B-5	1				
13	SPARK PLUG	AT4117 (champion CJ8)	1	30	STOP WIRE	EB430-21	1				
14	CYLINDER	1E40F-5B-4	1	31	SCREW M5x20		2				
15	GASKET-CYLINDER	1E40F-5-6	1	32	FLY WHEEL	1E40F-5.3	1				
16	PISTON RING	1E34FP-3Z.3-5	2	33	SEAL	1E40F-5.9	1				
17	PISTON	1E40F-5.4-1	1	34	CRANK CASE-FRONT	1E40F-5.8-1	1				

FIGURE (2) EXPLODING DRAWING



PART LIST

SER.NO	PART NAME	PART NO.	QTY.	SER.NO	PART NAME	PART NO.	QTY.	SER.NO	PART NAME	PART NO.	QTY.
1	BUTTON-BACKCUSHION		4	22	NUT 5	GB/T6170	2	43	SCREW M5×35		1
2	BACKCUSHION	EB430-15	1	23	VOLUT-REAR	EB430-4	1	44	PROTECTION HOSE	φ11 (OD)	1
3	SCREW ST4.8×25		3	24	NUT 10	GB/T6170	1	45	THROTTLE ROPE	EB430-20	1
4	LOCK PLATE	EB430-10	1	25	SPRING WASHER 10	GB/T93	1	46	SCREW ST2.9×7		1
5	ROPE	EB430-13	1	26	IMPELLER	EB430-3	1	47	STOP WIRE	EB430-21	1
6	FUEL FILTER	1E36F-5A	1	27	KEY 4×18	3WB-900	1	48	DIRECTION STOP	EB430-24	1
7	INTAKE FUEL LINE	3×5	1	28	SURPORTING TUBE	EB430-2	1	49	HANDLE SEAT	EB430-30	1
8	FEDBACK FUEL LINE	2.5×4.5	1	29	VOLUT- FRONT	EB430-1	1	50	NUT 5	GB/T6170	1
9	RUBBER PLUG	1E36F.8.1-1	1	30	HOSE	EB430-7	1	51	KNOB	EB430-32	1
10	FUEL CAP	EB415.4.1	2	31	SCREW M5×70		2	52	SCREW M5×60		1
11	SPRING SEAT	EB430-11	1	32	CYLINDER COVER	EB430-17	1	53	BLOWING TUBE	EB430-33	1
12	FUEL TANK	EB430-16	1	33	SCREW ST4.8×25		3	54	EXTENTION TUBE	EB430-36	1
13	ABSORBER SPRING	EB430-12	1	34	SCREW SHAFT	EB430-25	1	55	TUBE-TRACK	EB430-34	1
14	FRAME	EB430-9	1	35	SHIFT HANDLE	EB430-22	1	56	TRACK	EB430-31	1
15	SHOCK ABSORBER SPRING	EB430-5	2	36	LEFT SHELL	EB430-18	1	57	CONNECTING TUBE	EB430-35	1
16	WASHER 6	GB/T96.1	2	37	WASHER	EB430-23	1	58	CLAMPING BAND	64-76	1
17	SCREW M5×15		2	38	CLIP5	GB894.1	1	59	HOSE	3WF-3	1
18	NUT 6	GB/T889.1	2	39	TRIGGER	EB430-26	1	60	CLAMPING BAND	76-92	1
19	SCREW ST4.8×18		4	40	SPRING- TRIGER	EB430-27	1	61	FLAT WASHER 10	GB/T97.4	1
20	IMPELLER COVER	EB430-6	1	41	RIGHT SHELL	EB430-19	1	62	WAVE WASHERS		1
21	SCREW ST4.8×25		7	42	SCREW ST3.9×15		2				