

OWNER'S OPERATING MANUAL

FM300 DUST COLLECTOR



CONTENTS

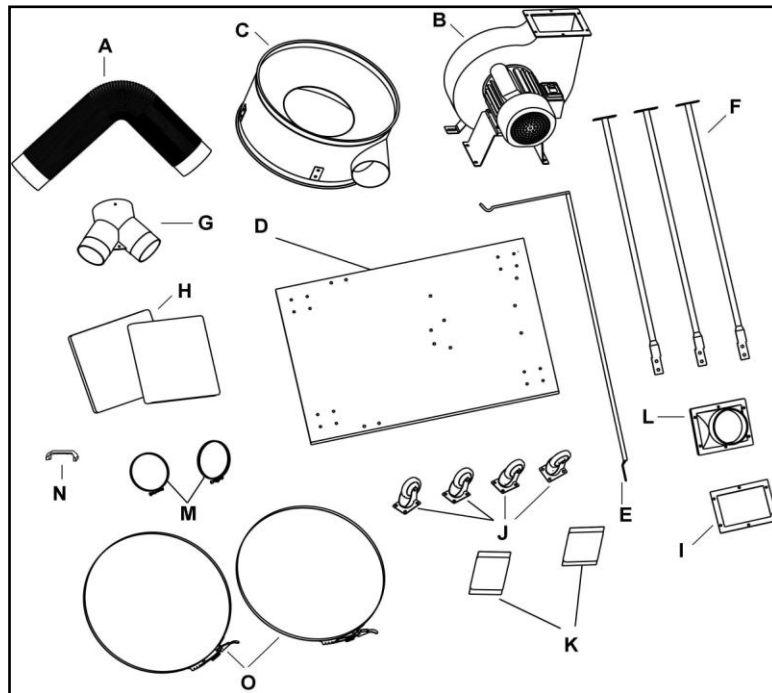
TECHNICAL DATA.....	1
UNPACKING AND CHECKING CONTENTS.....	2
ASSEMBLY.....	3
SAFETY RULES.....	9
WIRING DIAGRAM.....	10
PARTS DIAGRAM FOR FM300.....	11
PARTS LIST FOR FM300.....	12

FM300 TECHNICAL DATA

Motor power (Watt)	1500
Inlet diameter (mm)	1-125/2-100
Fan diameter (mm)	300
Bag capacity (cubic meter)	0.15
Collection capacity (CFM)	1490
Overall size (LWH)(MM)	850x560x1860
Weight (kgs)	47

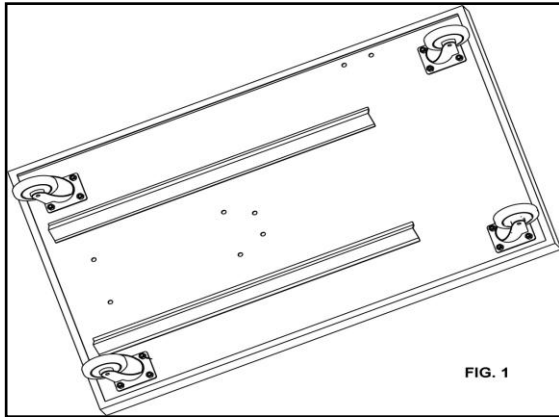
UNPACKING AND CHECKING CONTENTS

Unpack carton, check machine, to see parts listed below:



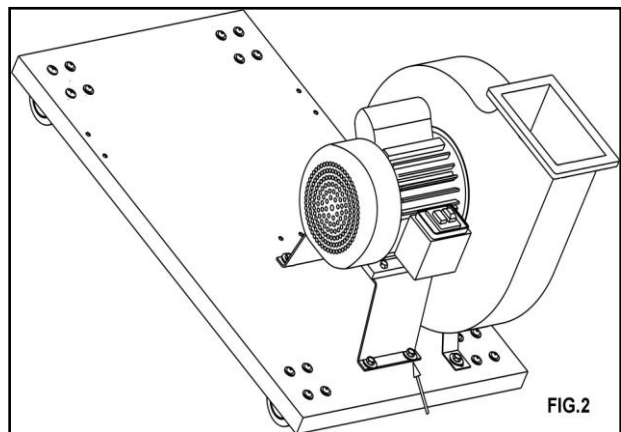
- A. HOSE
- B. COLLECTOR BODY & FAN/MOTOR ASSEMBLY
- C. COLLECTOR
- D. BASE PLATE
- E. UPPER BAG SUPPORT
- F. SUPPORT
- G. INLET
- H. TWO BAGS
- I. PACKING
- J. FOUR CASTERS
- K. NUTS, SCREWS, WASHERS, SPRING WASHERS, AND WRENCH
- L. OUTLET
- M. TWO HOSE CLAMP
- N. HANDLE (ALTERNATIVE)
- O. BAG CLAMP

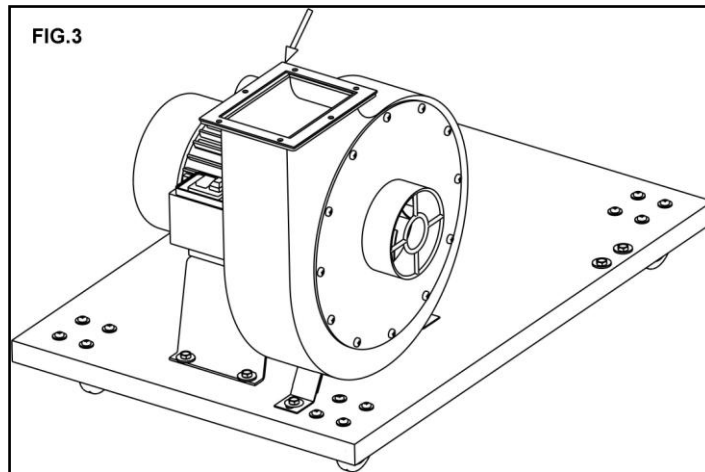
ASSEMBLY



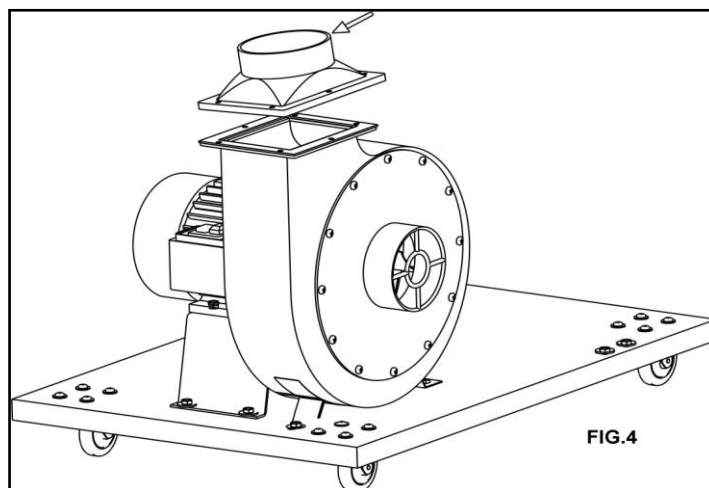
TO ASSEMBLY, FIRST PLACE THE BASE PLATE UPSIDE DOWN AND ATTACH THE FOUR CASTERS TO THE HOLES PROVIDED AND TOGHTEN WITH THE WRENCH. FIG.1

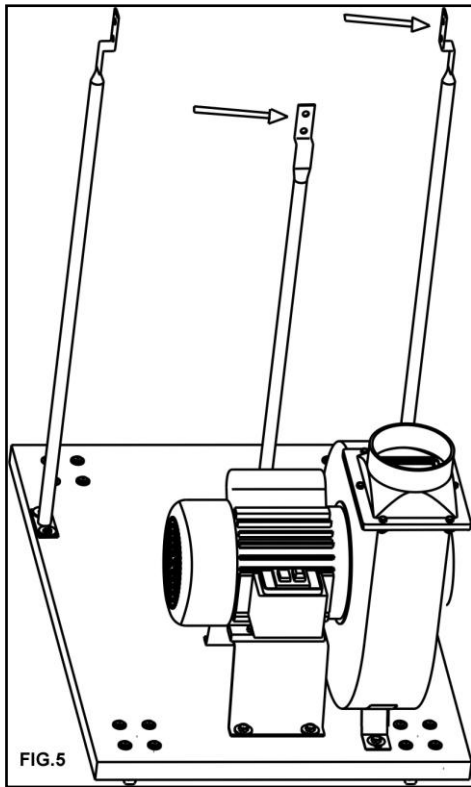
WITH THE COLLECTOR BODY & FAN/MOTOR ASSEMBLY IN PLACE, SECURE IT TO THE BASE PLATE USING THE SCREWS AND WASHERS PROVIDED AS SHOWN IN FIG.2.



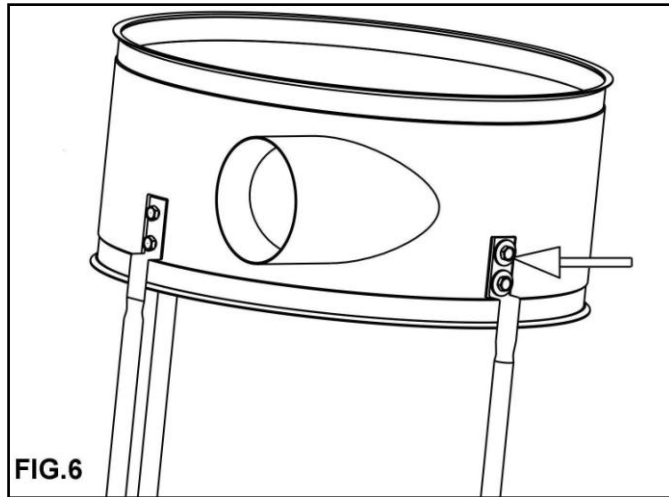


NEXT, MOUNT THE OUTLET , PACKING(I)
TO THE COLLECTOR BODY AS SHOWN IN
FIG.3 AND FIG. 4.

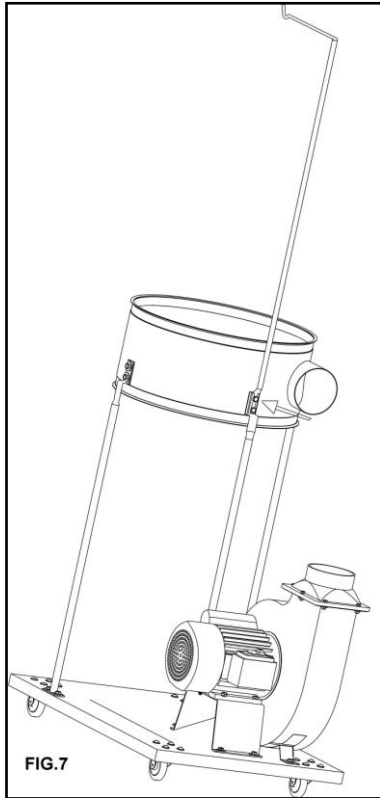




THE COLLECTOR SUPPORT
CAN BE MOUNTED TO THE
BASE PLATE AS SHOWN
FIG.5.

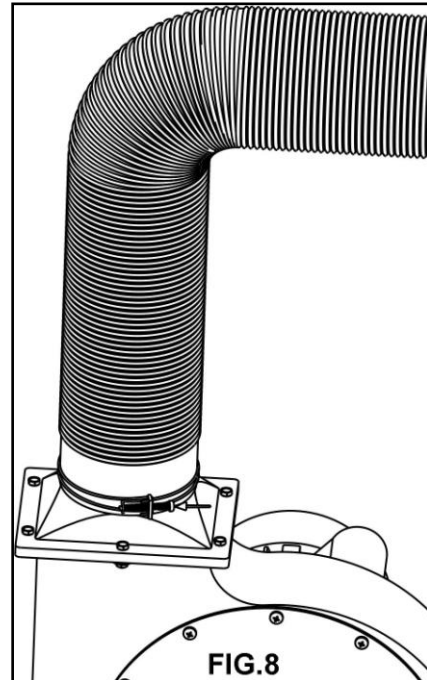


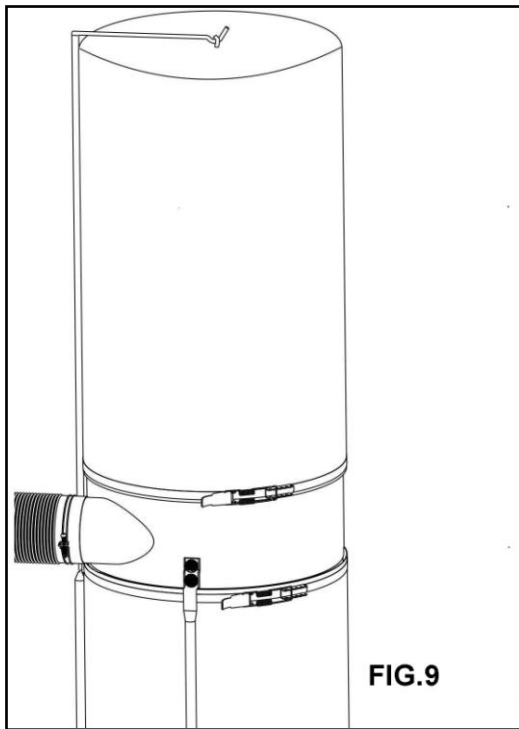
NOW ATTACH THE COLLECTOR TO THE TWO COLLECTOR
SUPPORTS MAKING SURE THE SIDE HOLE IS FACING THE
COLLECTOR BODY AS SHOWN IN FIG.6.



AT THIS TIME THE UPPER BAG SUPPORT BE INSTALLED ONTO THE COLLECTOR SUPPORT AS SHOWN IN FIG.7.

NOW ATTACH ONE END OF THE HOSE TO THE COLLECTOR BODY AND THE OTHER END TO THE SIDE HOLE OF THE COLLECTOR AND SECURE WITH THE TWO HOSE CLAMPS AS SHOWN IN FIG.8.

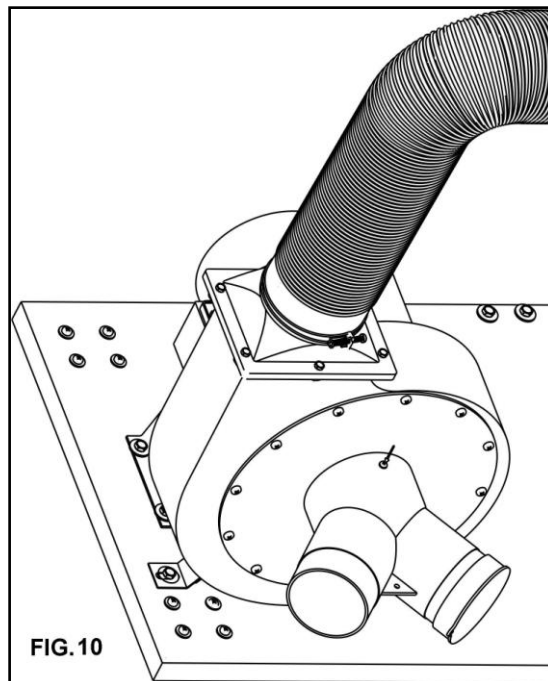


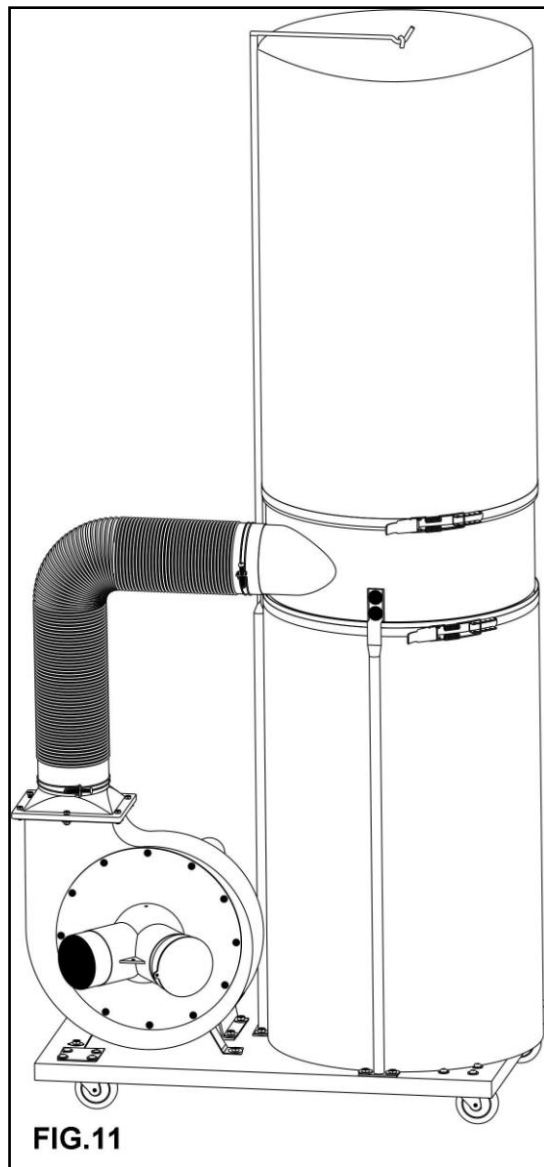


PLACE THE COLLECTOR AND FILTER BAGS ONTO THE COLLECTOR AND SECURE WITH THE BELTS AS SHOWN IN FIG.9.

AFTER THE BAGS ARE SECURED, THE UPPER BAG SHOULD BE HANG FROM THE UPPER BAG SUPPORT AS IN FIG.9.

THE INLET CAN NOW BE PLACED ON THE INTAKE HOLE OF THE FAN/MOTOR ASSEMBLY AS SHOWN IN FIG.10.



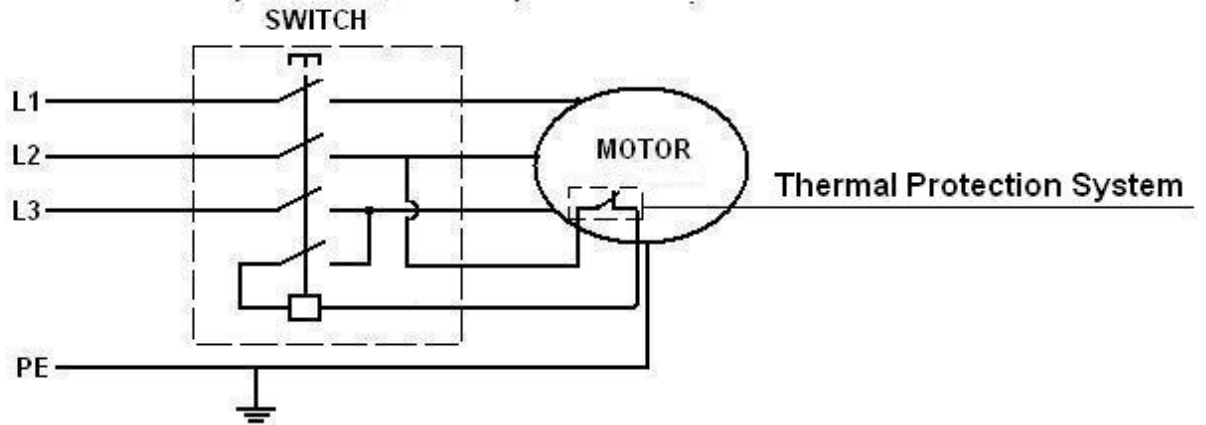


THE DUST COLLECTOR IS NOW READY TO BE PLACED INTO SERVICE. BEFORE CONNECTING TO A POWER SOURCE, BE SURE THE POWER SOURCE IS PROPERLY GROUNDED AND IS OF PROPER VOLTAGE AND AMPERAGE.

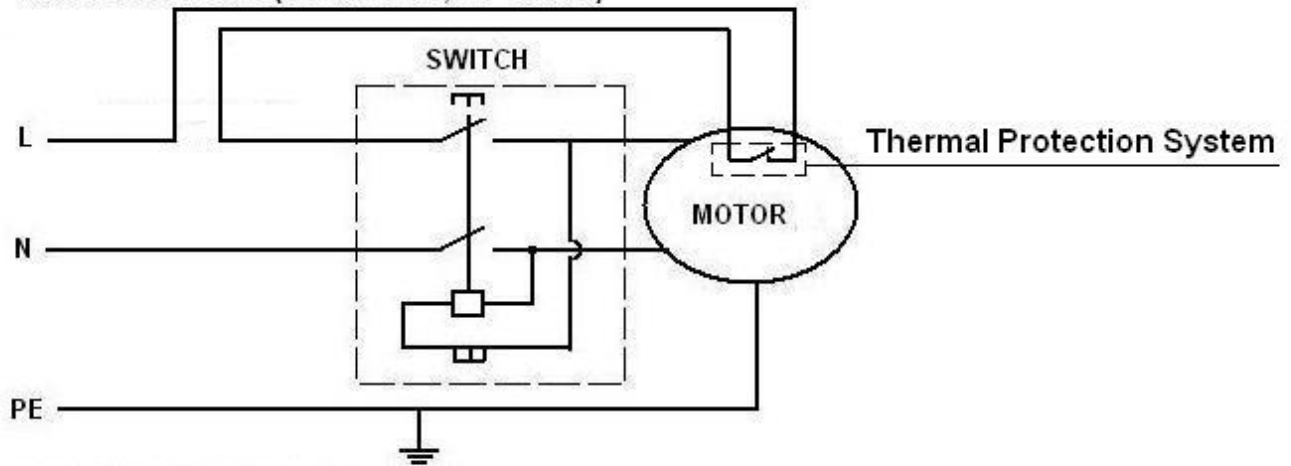
SAFETY RULES

1. Read and become familiar with the entire operating manual.
2. Keep guards and cover in place and in working order.
3. Wear eye protection at all times. Use safety glasses with side shields or safety goggles, meeting the national safety standards, while operating this machine.
4. Keep work area clean and well lighted. Clutter and inadequate lighting invite potential hazards.
5. Ground all tools. If a machine is equipped with a three-prong plug, it must be plugged into a three-hole electrical outlet or grounded extension cord. If using an adapter to aid in accommodating a two hole receptacle, ground using a screw to a known ground.
6. Avoid dangerous environments. Do not operate this machine in wet or flame environments. Airborne dust particles could cause an explosion and severe fire hazard.
7. Make sure switch is in the "OFF" position before connecting power to machine.
8. Keep children and visitors away. All visitors should be kept a safe distance away while operating unit.
9. Childproof workshop with padlocks, master switch or by removing starter keys.
10. Disconnect machine when cleaning, adjusting or servicing.
11. Do not force tool. The machine will do a safer and better job at the rate for which it was designed.
12. Use correct tool. Do not force machine or attachment to do a job for which it was not designed.
13. Wear proper apparel. Do not wear loose clothing, neck ties, gloves, jewelry, etc.
14. Remove adjusting keys and wrenches. Before turning the machine on, make it a habit to check that all adjusting keys and wrenches have been removed.
15. Do not leave machine unattended. Wait until it comes to a complete stop before leaving the area.
16. Do not use dust collector for anything except wood dust. Material such as liquids, metal shavings, metal dust, screw, glass, plastic or rock can cause sparks when coming into contact with any part of the collection system.
17. Do not place your hands, lumber or tools near inlet opening while machine is running or connected to power.
18. Always wear a respirator and safety glasses when removing, emptying or replacing collection bags. Secure bags tightly to dust collector to avoid bags from "blowing off".

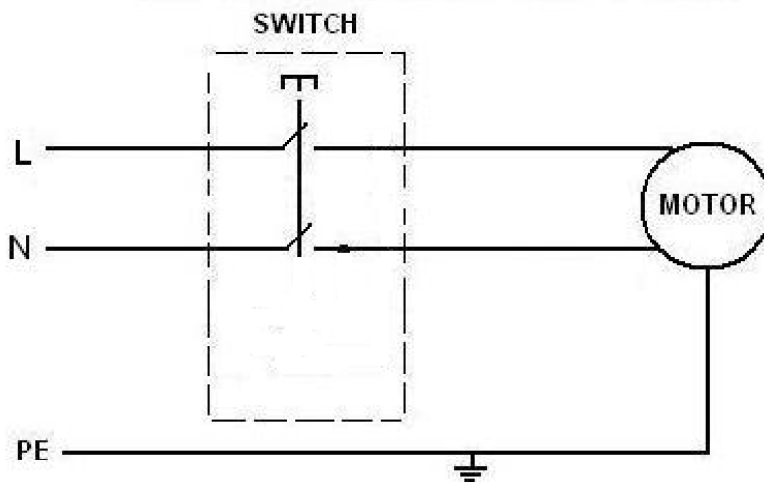
● WIRE DIAGRAM : (400V/50Hz, 3PHASE)



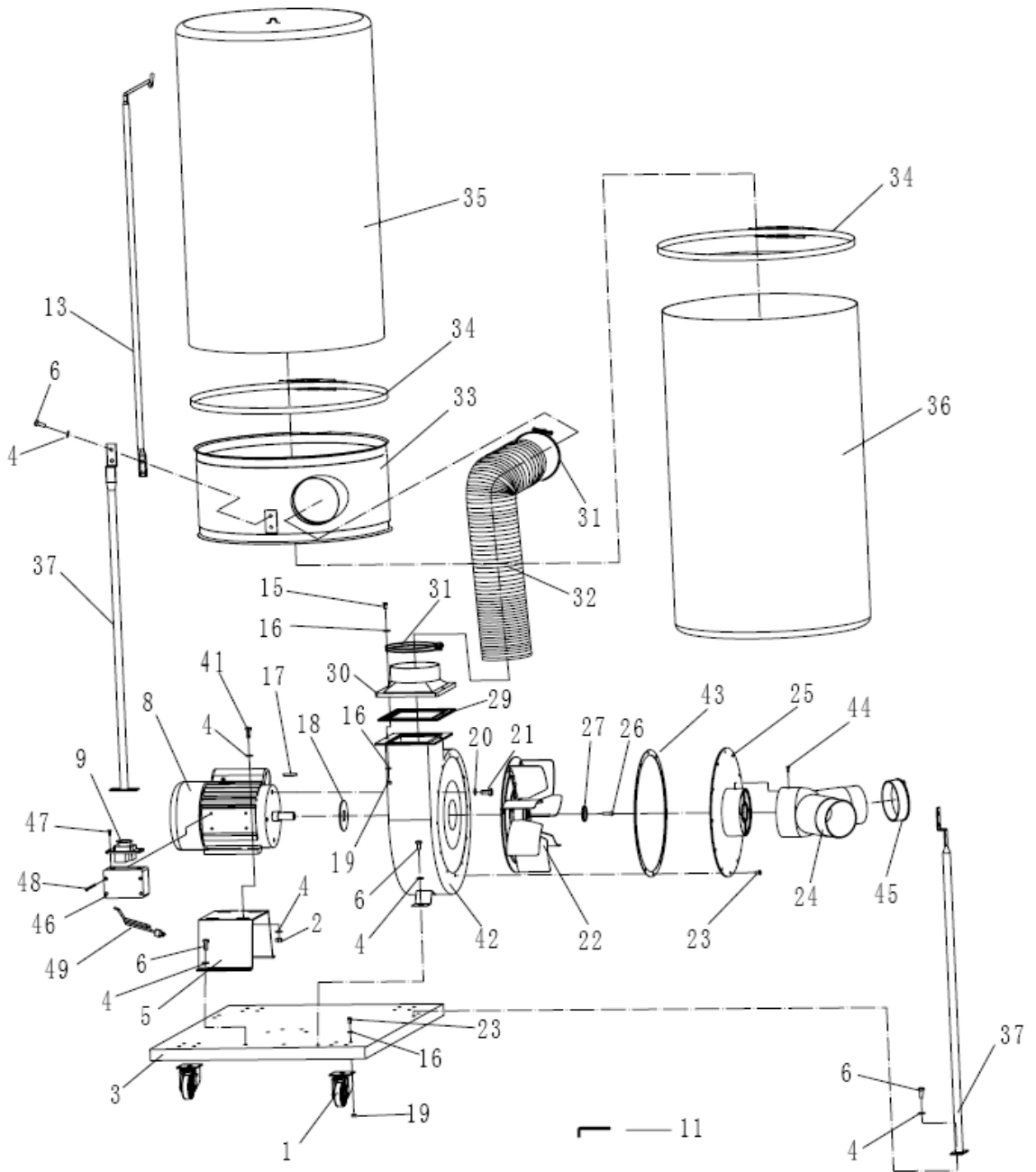
● WIRE DIAGRAM: (230V/50Hz, 1 PHASE)



WIRING DIAGRAM (120V/60Hz, 1 phase)



FM300 PARTS DIAGRAM



FM300 PARTS LIST

NO.	DESCRIPTION	QTY	NO.	DESCRIPTION	QTY
1	Caster	4	26	Screw Hex	1
2	Nut	4	27	Washer	1
3	Base Plate	1	29	Packing	1
4	Washer	26	30	Outlet	1
5	Motor Base	1	31	Hose Clamp	2
6	Screw Hex	18	32	Hose	1
8	Motor	1	33	Collector	1
9	Switch	1	34	Bag Clamp	2
11	Wrench Hex	1	35	Filter Bag	1
13	Upper Bag Support	1	36	Collector Bag	1
15	Screw Hex	6	37	Collector Support	3
16	Washer	28	41	Screw Hex	4
17	Key	1	42	Fan Housing	1
18	Packing	1	43	Seal Pad(Turbo Fan)	1
19	Nut	22	44	Screw Hex	1
20	Washer	4	45	Inlet Cover	1
21	Screw Hex	4	46	Switch Box	1
22	Turbo Fan	1	47	Screw Hex	2
23	Screw Hex	28	48	Screw Hex	4
24	Inlet	1	49	Cable	1
25	Inlet Cover	1	50		